

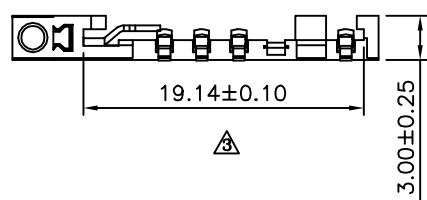
Recommended P.C.B. Layout(Component Side)
(PCB Board Tolerance±0.05)

△△ SPECIFICATION

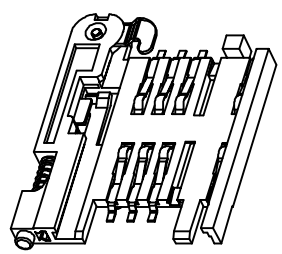
- 1.General Characteristics:
SIM Card Drawer Type 06P SMT 90° With Switch
H=3.0mm Row Pitch=23.2 Selective Gold Flash
- 2.Material&Finish:
Housing:LCP(UL94V-0),Black
Handle:PA46(UL94V-0),Yellow
Data Contact:Copper Alloy,Gold Flash On Contact Area,Tin Plated On Solder Tails,Over Nickel
Spring:SWP
Pole:Stainless Steel
Axis:Copper Alloy,Nickel Plated Over All
Toggle Lever:Stainless Steel
- 3.Electrical Characteristics:
Current Rating:0.5 Amp Max.
Dielectric Withstanding:500V AC For One Minute
Contact Resistance:30 Milliohms Max.
Insulation Resistance:1000 Megaohms Min. At DC 500V
- 4.Environmental Characteristics:
Operation Temperature:-40°C~+85°C
- 5.RoHS Compliant

△ SC S - W 06 D 30 - 020 B - H
(1) (2) (3) (4) (5) (6) (7) (8) (9)

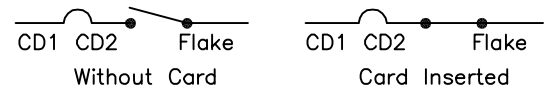
- (1) SC:Smart Card/SIM Card
- (2) S:Drawer Type
- (3) W:SMT Right Angle
- (4) 06:No. Of Position
- (5) D:Row Pitch=D Type
- (6) 30:Base Height 3.0mm
- (7) 020:Gold Flash On Contact Area,Tin Plated On Solder Tails,Over Nickel
- (8) B:Without Post & With Switch
- (9) H:RoHS Compliant



Pin No.	Name
C1	Vcc
C2	RST
C3	CLK
C4	RFU
C5	GND
C6	Vpp
C7	I/O
C8	RFU



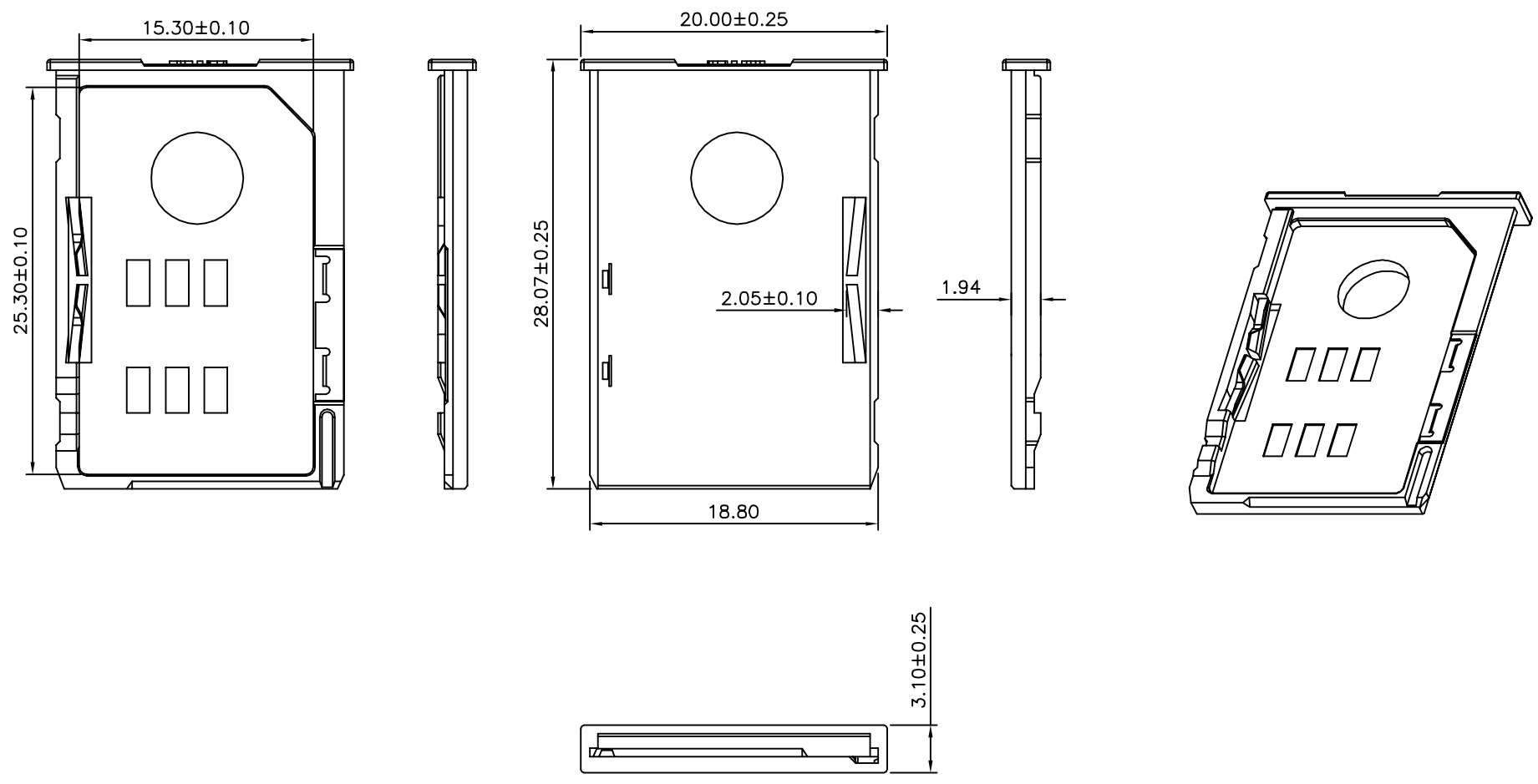
Electric Function	Detect Switch
Without Card	Open
Card Inserted	Closed



△ Switch Operation Diagram

AUK A MEMBER OF AUK GROUP
太聯事業股份有限公司
AUK CONTRACTORS CO., LTD.

CATEGORY		APPROVED BY		UNLESS OTHERWISE SPECIFIED TOLERANCES ARE .X ±0.30 .XX ±0.20 .XXX ±0.10 ANG. ±3°				
PART No.	SCS-W06D30-020B-H	CHECKED BY	MEI		△ A3	Modify P/N:SCS-W06D36-020B-H --> SCS-W06D30-020B-H	HZF	03/11/2014
DRAWING No.	SCS-W06D30-020B-H	DRAWING BY	HZF		△ A2	Add "Cover:PBT"	HZF	10/18/2011
SCALE	NONE	REV.	SONG		△ A1	Modify Data	HZF	06/14/2011
			A3	UNIT mm	△ A0	NEW RELEASE	HZF	06/14/2009
					NO.REV.	REVISIONS	CHK	DATE



AUK A MEMBER OF AUK GROUP
太聯事業股份有限公司
AUK CONTRACTORS CO., LTD.

CATEGORY		APPROVED BY		UNLESS OTHERWISE SPECIFIED TOLERANCES ARE .X ±0.30 .XX ±0.20 .XXX ±0.10 ANG. ±3°
PART No. SCS-W06D30-020B-H		MEI		
DRAWING No. SCS-W06D30-020B-H		CHECKED BY HZF		
SCALE NONE		DRAWING BY SONG		
REV.	A3	UNIT	mm	

NO.	REV.	REVISIONS	CHK	DATE
A3		Modify P/N:SCS-W06D36-020B-H ---> SCS-W06D30-020B-H	HZF	03/11/2014
A2		Add "Cover:PBT"	HZF	10/18/2011
A1		Modify Data	HZF	06/14/2011
A0		NEW RELEASE	HZF	06/14/2009