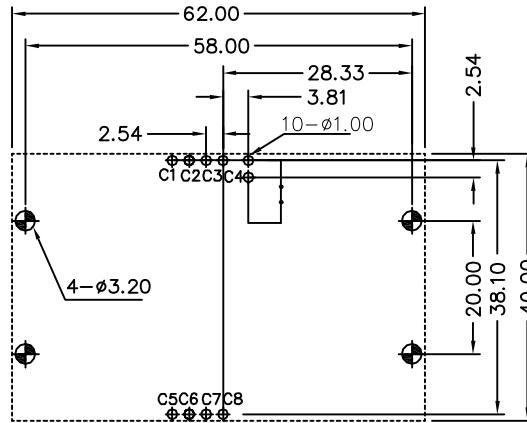
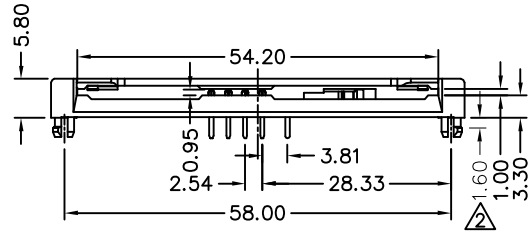
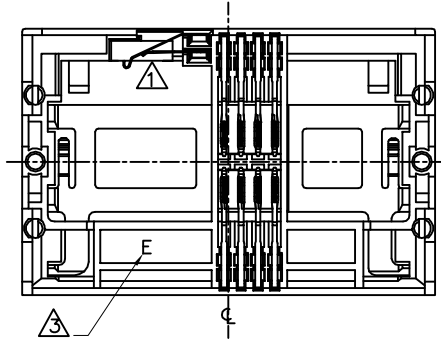
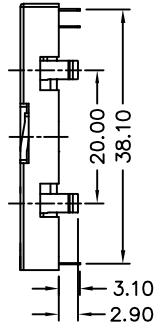
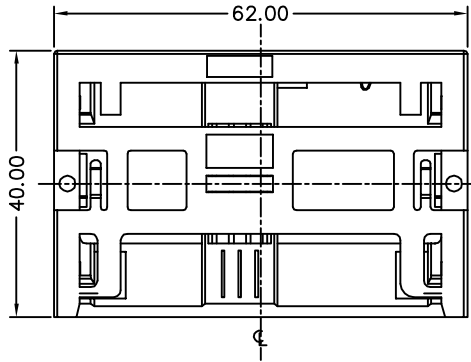
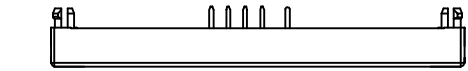


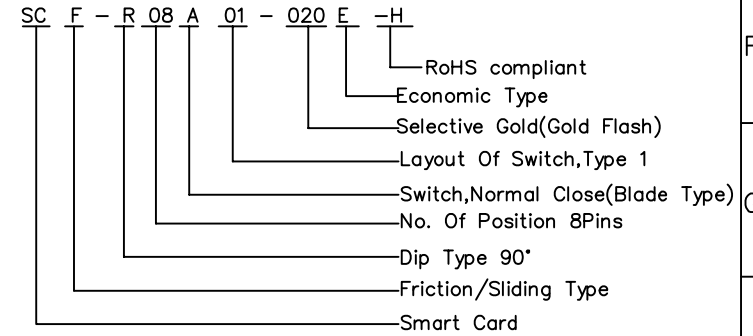
PRELIMINARY



Reference P.C.B. Layout(Tolerance:±0.10mm)

Specifications :

1. General Information
 - . Contact Principle: Friction Technology
 - . Mounting Type: Dip Type
 - . Switch: Blade Contact,Normal Close
 - . Durability: Insert And Withdraw Card For 300,000 Cycles At Maximum Rate Of 600 Cycles Per Hours
 - . Material:
 - Data Contact: Copper Alloy
 - Insulator: Thermoplastic,UL94V-0
 - . Plating:
 - Gold Plated On Contact Area
 - Tin Plated On Terminal Area
2. Electrical Specification
 - . Contact Resistance: 50m Ohms Max.
 - . Insulator Resistance: 1000M Ohms Min.
 - . Dielectric Withstanding Voltage: 500V AC R.M.S.Min(Sea Level)
 - . Rating Voltage: 30V AC
 - . Current Rating: 1A Max,10uA Min.
3. Mechanical Specification
 - . Card Insertion Force: 15N Max.
 - . Card Withdrawal Force: 1N Min.
 - . Contact Force : 0.2N~0.6N
 - . Contact Retention Force : 0.3kgf Min.
4. Environmental Specification
 - . Operating Temperature: -20°C~+85°C
 - . Operating Humidity: 10%~95% RH
 - . Solderability: Wave Soldering : 245°C 5 Sec Max. Manual Soldering: 360°C 3 Sec Max.
5. RoHS compliant



AUK A MEMBER OF AUK GROUP
太聯事業股份有限公司
AUK CONTRACTORS CO., LTD.

CATEGORY Smart Card/Sim Card		APPROVED BY VIVIAN		UNLESS OTHERWISE SPECIFIED TOLERANCES ARE .x ±0.38 .xx ±0.25 ANG. ±1°
PART No. SCF-R08A01-020E-H		CHECKED BY LYS		
DRAWING No. SCF-R08A01-020E-H		DRAWING BY YUEYU		
SCALE	NONE	REV.	A3	
UNIT	mm			

NO.	REV.	REVISIONS	CHK	DATE
3	A3	MARKED 3 WAS CHANGED	YUEYU	03/12/2015
2	A2	Added Dimension	YUEYU	11/03/2010
1	A1	Marked 1 Was Changed	YUEYU	10/11/2010
0	A0	NEW RELEASE	YUEYU	06/25/2010