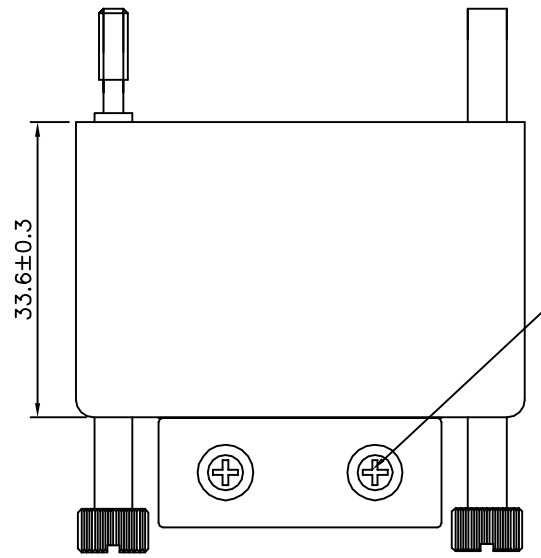
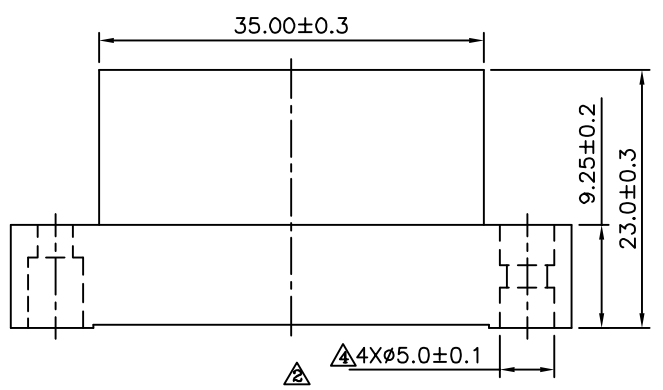


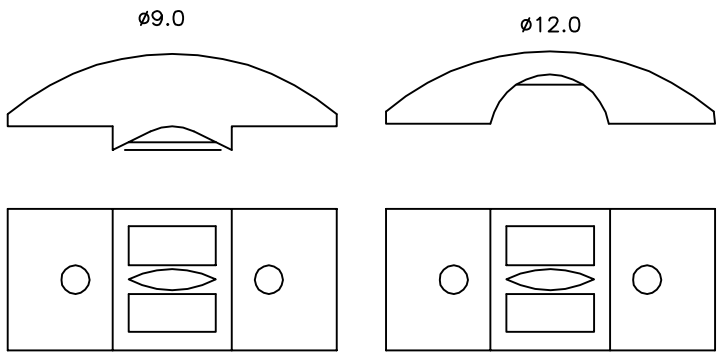
Thread Screw 4X(M2.6X6)

**△△△ SPECIFICATION**  
 Back Shell: Aluminum Alloy  
 Jackscrews: Steel, Nickel Plated Over Copper  
 Thread Screw: Steel, Nickel Plated Over Copper  
 Flat Screw: Steel, Nickel Plated Over Copper  
 Cable Clipper: PBT(UL94V-0), Black  
 Housing: PBT(UL94V-0), Black  
 RoHS Compliant

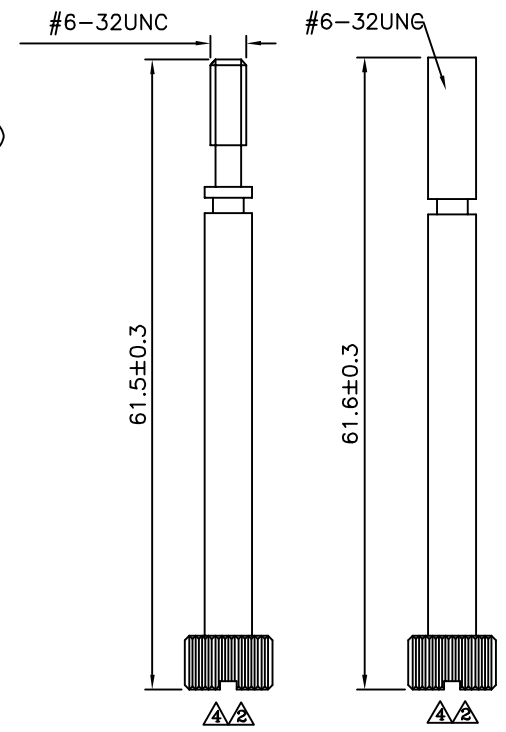
- △△ M34 SH W - XX - H**  
 (1) (2) (3) (4) (5)  
 (1) M34: V.35 34 Pin Crimp Type  
 (2) SH: Female Housing  
 (3) W: Silver Color Aluminum Hood Screw Accessories  
 (4) XX: Entry Hole Position  
 Blank: Entry Hole=Ø9  
 12: Entry Hole=Ø12  
 (5) H: RoHS Compliant



Flat Screw 2X(M2.6X10)



△△ Cable Clipper



CATEGORY		APPROVED BY		UNLESS OTHERWISE SPECIFIED TOLERANCES ARE .X ±0.38 .XX ±0.25 ANG.
PART No. M34SHW-XX-H		MEI		
DRAWING No. M34SHW-XX-H		HZF		
SCALE NONE		CYP		
REV.		A4		UNIT mm

△ A4	Modify Data	HZF	03/30/2015
△ A3	Modify P/N: M34SHW-H --> M34SHW-XX-H	HZF	12/01/2011
△ A2	Modify Data	HZF	08/12/2011
△ A1	Add Specifications	SHIN	09/07/2006
△ A0	NEW RELEASE	MEI	06/12/2001
NO. REV.	REVISIONS	CHK	DATE