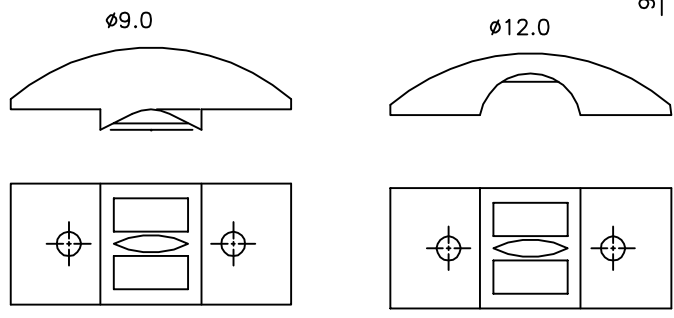
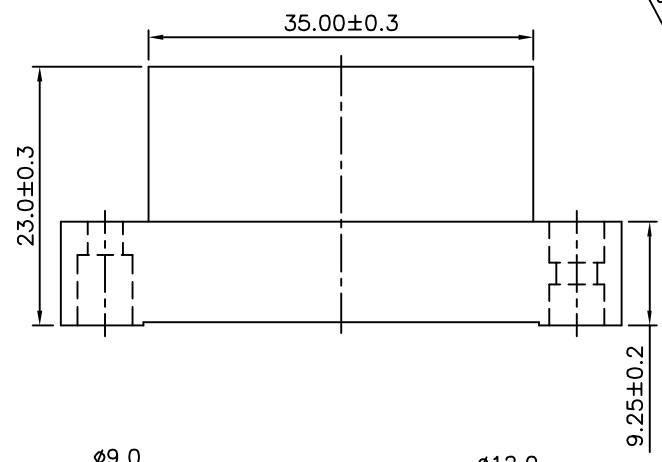
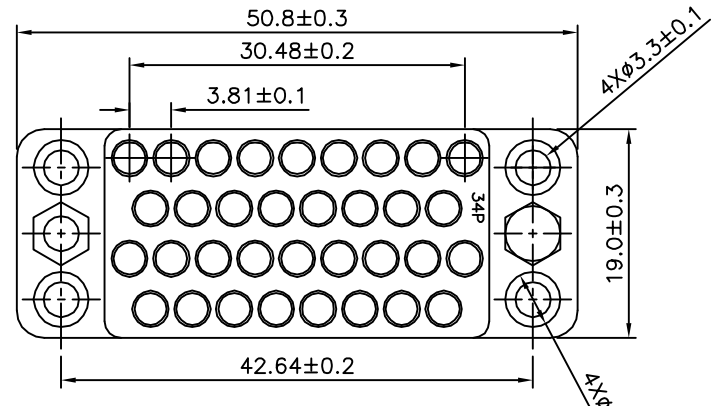
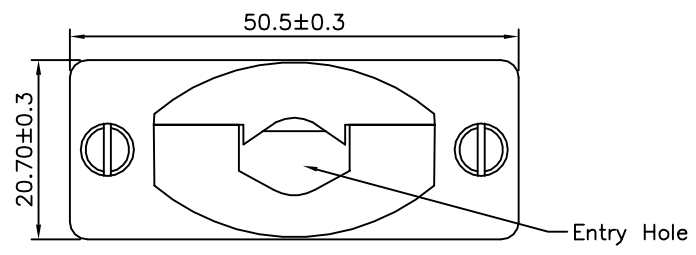
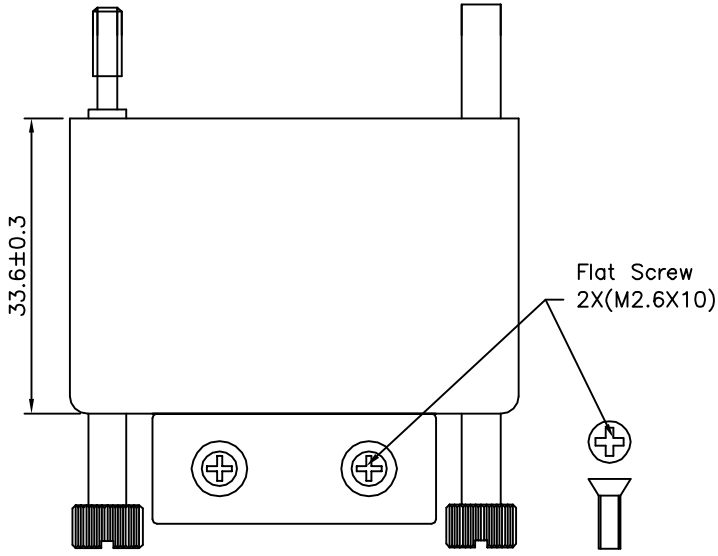
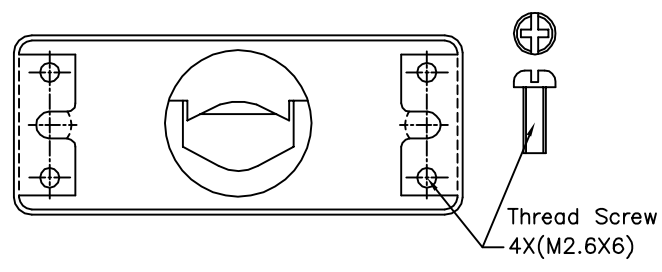
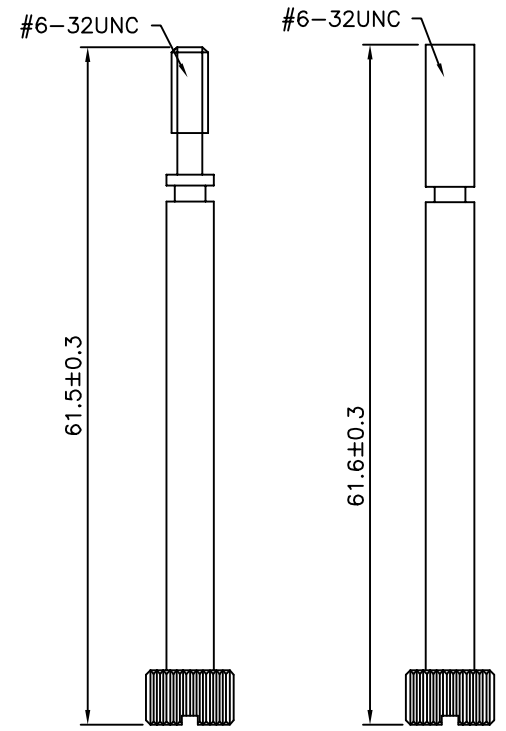


SPECIFICATION
 Back Shell: Aluminum Alloy, Nickel Plated Over Copper
 Jackscrews: Steel, Nickel Plated Over Copper
 Thread Screw: Steel, Nickel Plated Over Copper
 Flat Screw: Steel, Nickel Plated Over Copper
 Housing: PBT(UL94V-0), Black
 Cable Clipper: PBT(UL94V-0), Black
 RoHS Compliant

- M34 PH W - XX - H
 (1) (2) (3) (4) (5)
 (1) M34:V.35 34 Pin Crimp Type
 (2) PH: Male Housing
 (3) W: Silver Color Aluminum Hood Screw Accessories
 (4) XX: Entry Hole Position
 Blank: Entry Hole = $\varnothing 9$
 12: Entry Hole = $\varnothing 12$
 (5) H: RoHS Compliant



Cable Clipper

CATEGORY		APPROVED BY		UNLESS OTHERWISE SPECIFIED TOLERANCES ARE .X ±0.38 .XX ±0.25 ANG.
PART No. M34PHW-XX-H		MEI		
DRAWING No. M34PHW-XX-H		HZF		
SCALE		CYP		
SCALE	NONE	REV.	BO	UNIT mm

NO.	REV.	BO	NEW RELEASE	HZF	03/15/2015
			REVISIONS	CHK	DATE