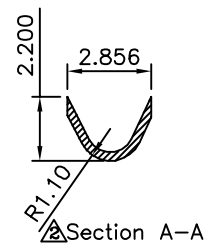
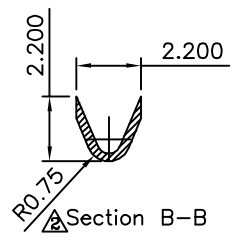
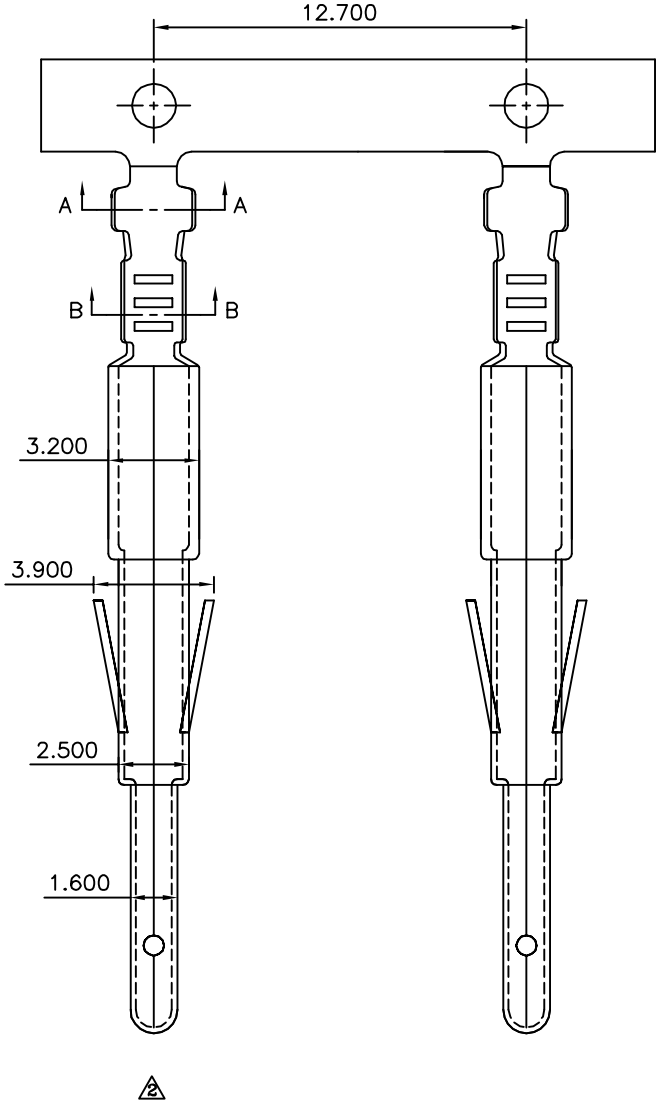
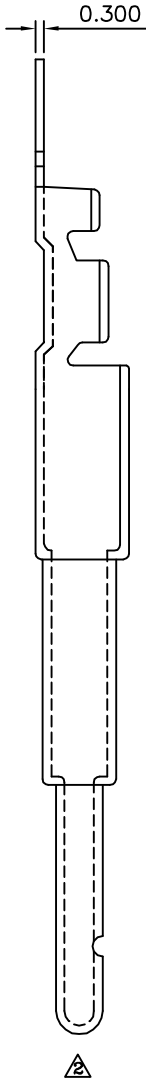


△ SPECIFICATION
 △ Wire Size: 22~28 AWG Crimp Contacts
 △ Contacts: Brass
 Q'ty: 2500 PCS/Reel
 RoHS Compliant

△ M34 M1G XX - H
 (1) (2) (3) (4)
 (1) M34:1.905mm V3.5 34 Pin Crimp
 (2) M1G:Male Terminal 1 Latch
 (3) XX:Contact Finish
 Blank:Gold Flash Over All,Over Nickel
 05:Gold Plated 5u" Over All,Over Nickel
 (4) H:RoHS Compliant



AUK A MEMBER OF AUK GROUP
太聯事業股份有限公司
AUK CONTRACTORS CO., LTD.

CATEGORY		APPROVED BY		UNLESS OTHERWISE SPECIFIED TOLERANCES ARE △.XX ±0.150 .XXX ±0.150
PART No. M34M1GXX-H		MEI		
DRAWING No. M34M1GXX-H		HZF		
SCALE NONE		SONG		
REV.	A3	UNIT mm		

NO.	REV.	REVISIONS	CHK	DATE
△3	A3	Modify P/N:M34M1G-H --> M34M1GXX-H	HZF	05/25/2012
△2	A2	Modify Data	HZF	08/11/2011
△1	A1	Add Cable AWG	BECKY	05/16/2006
△0	A0	NEW RELEASE	RAN	