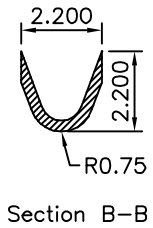
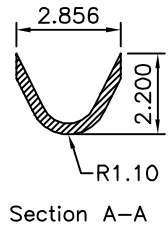
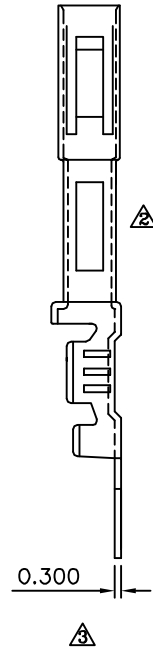
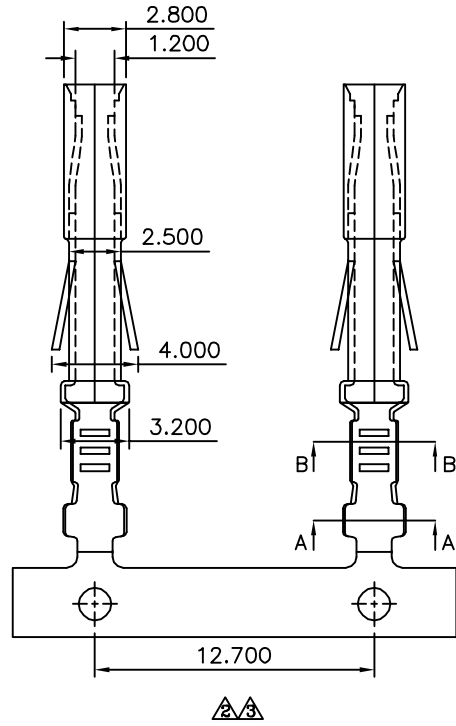


△ SPECIFICATION
 Contacts: Phosphor Bronze
 Wire Size: 22~28 AWG Crimp Contacts
 Q'ty: 2500 PCS/Reel
 RoHS Compliant

△△ M34 F1G XX - H
 (1) (2) (3) (4)

- (1) M34: 1.905mm V.35 34 Pin Crimp
- (2) F1G: Female Terminal 1 Latch
- (3) XX: Contact Finish
 Blank: Gold Flash Over All, Over Nickel
 05: Gold Plated 5u" Over All, Over Nickel
- (4) H: RoHS Compliant



AUK A MEMBER OF AUK GROUP
太聯事業股份有限公司
AUK CONTRACTORS CO., LTD.

CATEGORY		APPROVED BY MEI		UNLESS OTHERWISE SPECIFIED TOLERANCES ARE △△ .XX ±0.150 .XXX ±0.150 ANG.	△ A4	Modify Data	HZF	05/25/2012
PART No. M34F1GXX-H		CHECKED BY HZF			△ A3	Modify Drawing	HZF	02/21/2011
DRAWING No. M34F1GXX-H		DRAWING BY SONG			△ A2	Modify Drawing	HZF	09/23/2008
SCALE NONE		REV. A4			△ A1	Modify P/N:	HZF	09/16/2008
				UNIT mm	△ A0	NEW RELEASE	HZF	11/17/2007
				NO. REV.	REVISIONS	CHK	DATE	