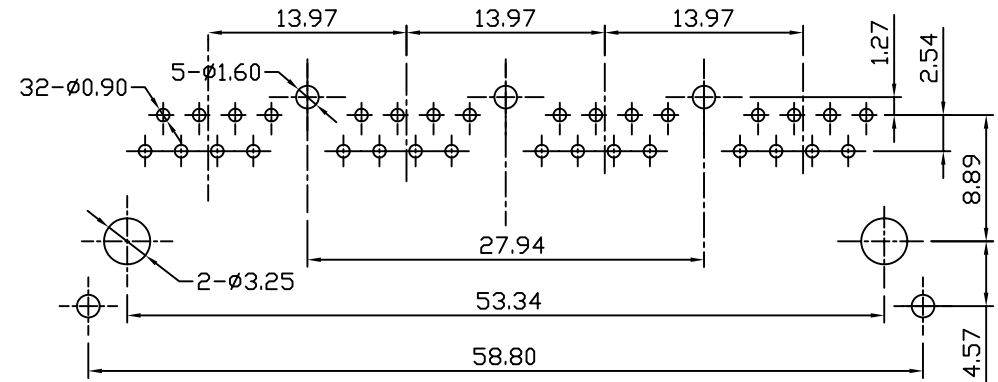
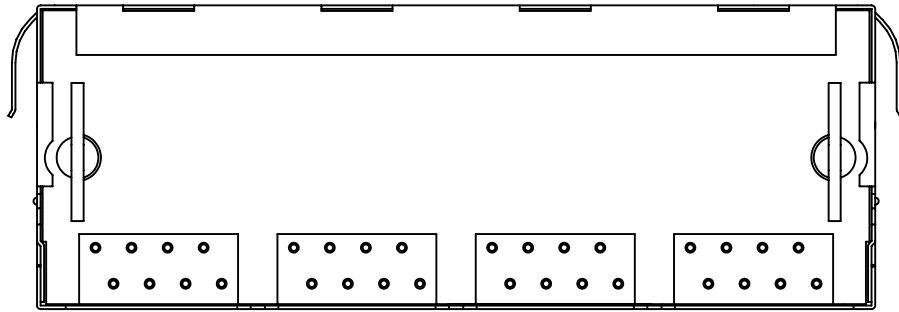
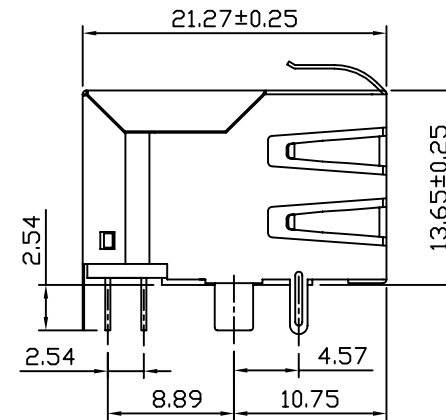
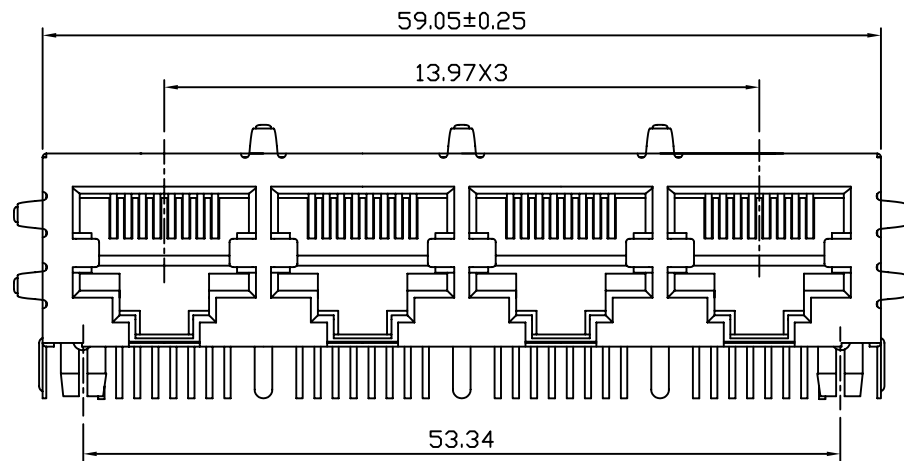


Mechanical:

REV.	ECN NO.	DESCRIPTION	DATE	APPD
A	REL		23/03/2008	



PC Board Layout



PCB JACK Specification

1. Insulation Resistance: 500M Ω MIN @ 500 VDC
2. Withstanding Voltage: AC1000V 50Hz or 60Hz 1min.
3. Durability: 600 Mating Circles MIN.
4. Gold Plating: (3;6;15;30;50) μ inch
5. Tolerances Unless Otherwise Specified  
 .0±0.25 .00±0.20 .000±0.10

X:X ±0.25	APPD:	Trxcom ShenZhen Trxcom Electronics Co., Ltd
X:XX ±0.10	CHKD:	
X:XXX ±0.05	DR: leo	TITLE: RJ45 1x4 CONNECTOR 脚前4.57
ANGLES ±1°	UNIT: mm	PART NO.: TRJEF104CNL
	SCALE: 2/1	SHEET: 1/2
	REV: A	DWG NO.: TRC08032301