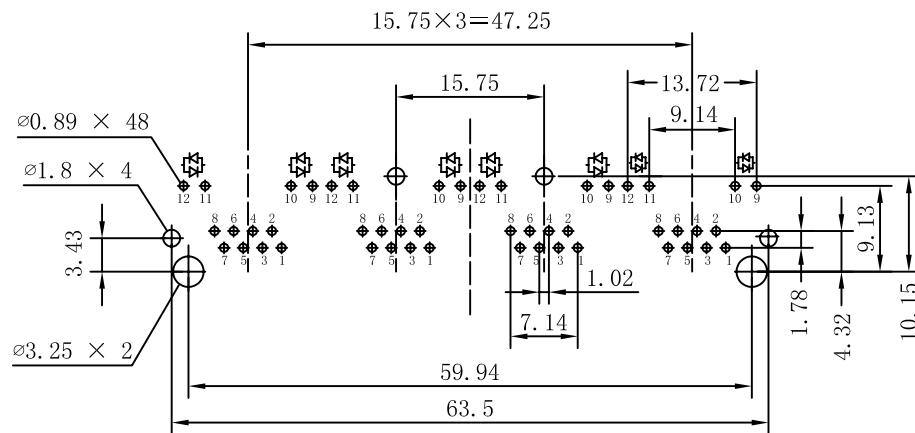
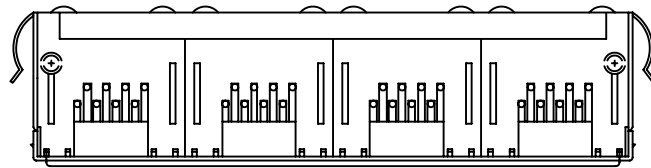
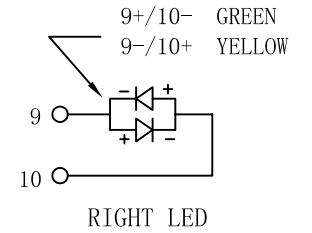
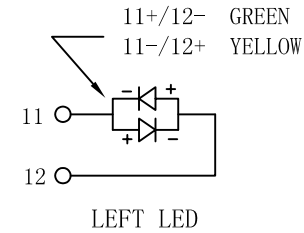
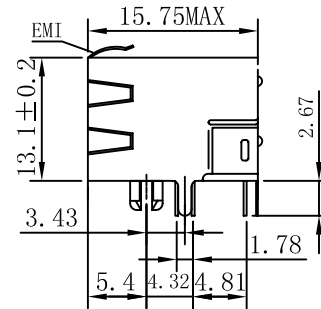
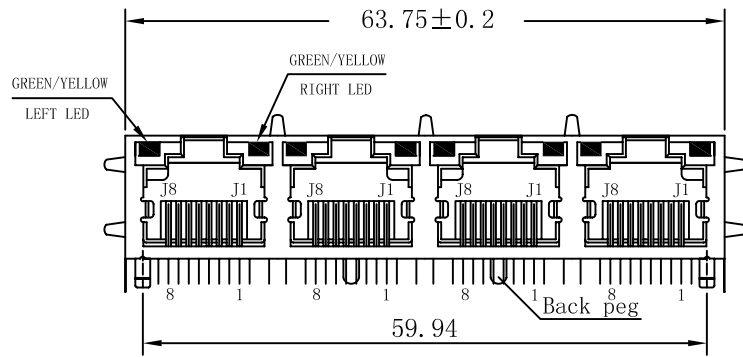


REW.	ECN NO.	DESCRIPTION	DATE	APPD
A	REL		2012/03/15	



PC Board Layout (TOP VIEW)  
Component Side Shown



NOTES:

MATERIAL:

- HOUSING MATERIAL
- CONTACT MATERIAL
- PLATING
- SHIELD

:GLASS FILLED POLYESTER UL94V-0.  
:PHOSPHOR BRONZE ∅0.46mm.  
:GOLD PLATING OVER NICKEL.  
:0.23mm THICKNESS COPPER ALLOY WITH NICKEL PLATED.

- LED
- UL CERTIFICATION

:OPTION  
:FILE NUMBER E321120

ELECTRICAL:

- VOLTAGE RATING
- CURRENT RATING
- CONTACT RESISTANCE
- INSULATION RESISTANCE
- DIELECTRIC WITHSTANDING RESISTANCE

:125VAC RMS.  
:1.5AMP.  
:30 MILLIOHMS MAX.  
:500MEGOHMS MIN @ 500V DC.  
:1000V AC RMS 50Hz. 1MIN.

MECHANICAL:

- DURABILITY
- PCB RETENTION PRE-SOLDER

:750 CYCLES MIN.  
:1LB MIN.

GOLD PLATING:

- Gold Flash  1.5U"  3U"   
6U"  15U"  30U"  50U"

ENVIRONMENTAL:

- STORAGE
- OPERATION

:-40°C TO +85°C.  
:-40°C TO +85°C.

X:X	±0.20	APPD:	Trxcom	
X:XX	±0.10	CHKD:	ShenZhen Trxcom Electronics Co.,ltd	
X:XXX	±0.05	DR: C. H. Y	TITLE: SIDE ENTRY PCB JACK WITH SHIELD	
ANGLES	±1°	UNIT: mm	PART NO.: TRJE401A4NL	
	SCALE: 1/1	SHEET: 1/1	REV: A	DWG NO.: TRC12031501