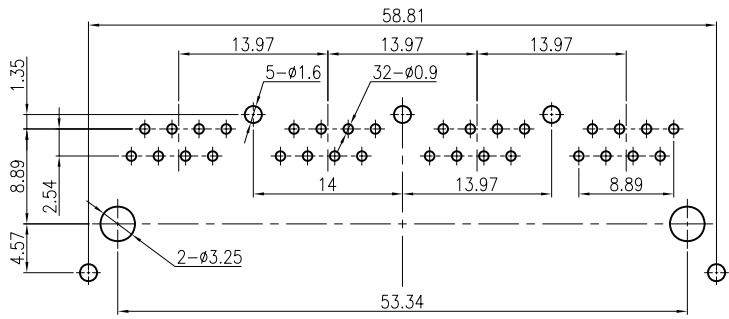
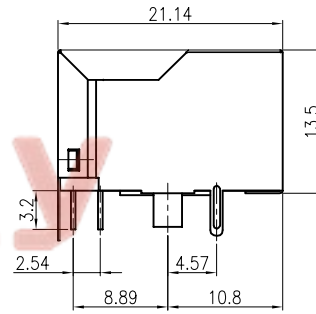
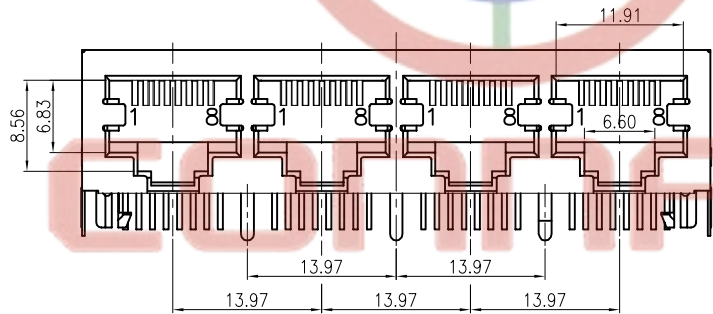
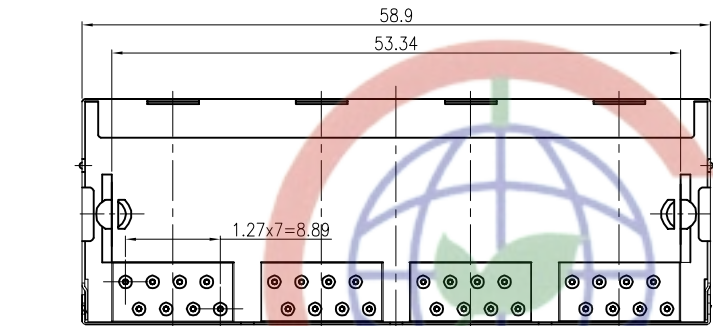


| REV. | DESCRIPTION | DRAWN | CHECKED | APPROVED |
|------|-------------|---------------|---------|----------|
| A | NEW RELEASE | YCH 05/06/10' | ~ | |
| | | | | |
| | | | | |



RECOMMEND PCB LAYOUT(TOLERANCE=±0.05)

SPECIFICATION

1. Insulation Resistance:1000MΩ Min.
2. Withstand Voltage:500V AC/Minute.
3. Durability:600 Cycles Min.
4. Product Number Code:

DS1129-02-X X X X X

- Housing Materials
P:PBT
N:NYLON
- Housing Color
B:Black
Y:Yellow
- Contact Plating
0:Gold Flash
3:Selective 3u" Gold
(6;15;30)Micro Inch
- No.Of Contacts
8:8p8c
- Connector Type
S:Socket

Tel:86-574-63508787

Fax:86-574-63510817

E-mail:sale@zhenqin.com.cn

Http://www.connfly.com

| | | | | | | | |
|-------------------|-------|-------------------|--------|---|----|--------|---------------------|
| GENERAL TOLERANCE | | ANGLE TOLERANCE | | PROJECTION | | TITLE | PCB JACK 8P 1*4PORT |
| X. | ±0.60 | X. | ±5' | UNITS | mm | | 4.75mm PCB LAYOUT |
| .X | ±0.38 | .X | ±3' | SHEET SIZE | A4 | SERIES | DS1129-02 SERIES |
| .XX | ±0.25 | .XX | ±2' | 晨翔电子有限公司 CONNFLY CONNFLY ELECTRONIC CO. LTD | | | |
| DRAWING TYPE | | CUSTOMER | | | | | |
| SCALE | 1:1 | SHEET | 1 OF 1 | | | | |
| DRAWING NO. | | C-DS1129-02-XXXXX | | | | | |