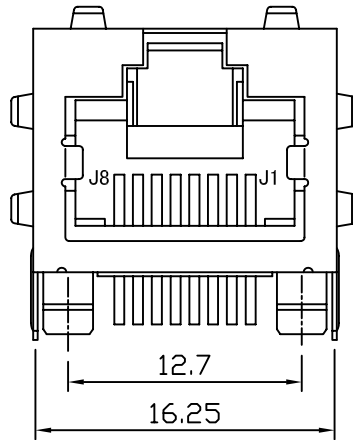
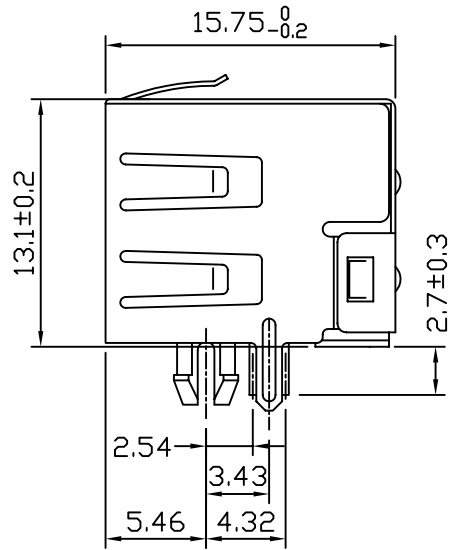


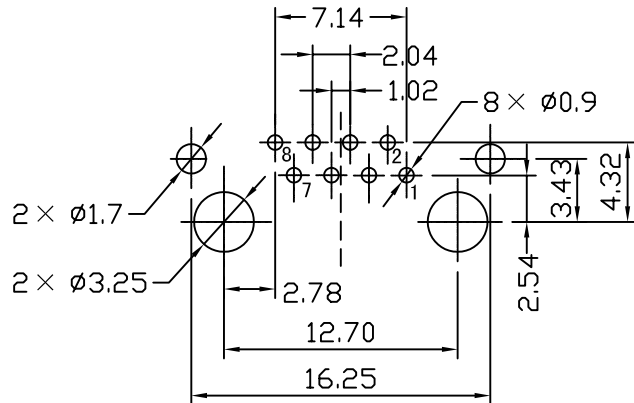
Mechanical:

REV.	ECN NO.	DESCRIPTION	DATE	APPD
A	REL		17/09/2009	

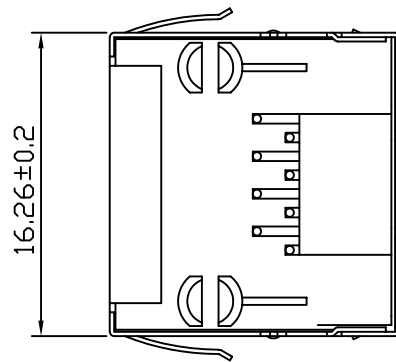


PCB JACK Specification

1. Insulation Resistance: 500MΩ MIN @ 500 VDC
2. Withstanding Voltage: AC1000V 50Hz or 60Hz 1min.
3. Durability: 600 Mating Circles MIN.
4. Gold Plating: (Gold Flash; 1.5; 3; 6; 15; 30; 50) U" inch
5. (1) Storage: -40°C to +85°C
(2) Operation: -40°C to +85°C
(3) Wave solder temperature: 230°C to 250°C, 5~10 Sec.
6. UL certification: file number E321120



SUGGESTED PCB LAYOUT (TOP VIEW)



X:X ±0.25	APPD:	Trxcom		
X:XX ±0.20	CHKD:	ShenZhen Trxcom Electronics Co.,ltd		
X:XXX ±0.05	DR: C. H. Y	TITLE: RJ45 1×1 CONNECTOR		
ANGLES ±1°	UNIT: mm	PART NO.: TRJE101CNL		
	SCALE: 2/1	SHEET: 1/1	REV: A	DWG NO.: TRC09091701