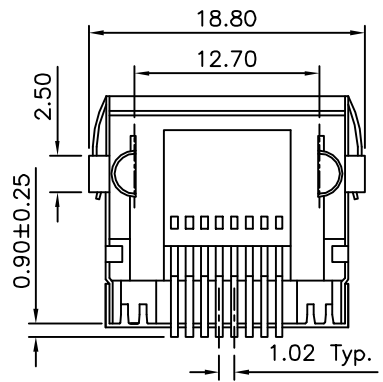
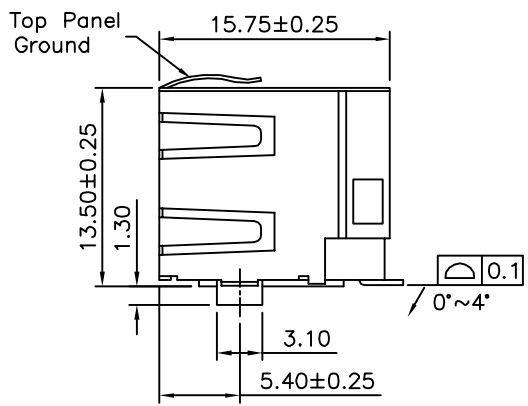
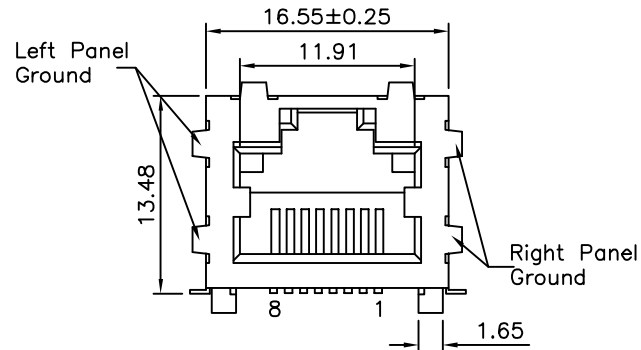


Recommended P.C.B. Layout



SPECIFICATION

Housing:PA9T(UL94V-0),Black
 Insert Housing:PA46(UL94V-0),Black
 Contacts:Phosphor Bronze
 Shield:Copper Alloy,Nickel Plated
 Resistance To Solder Heat:250 Degrees C,10s Max.
 Cavity Confirms To FCC Rules And Regulations
 Part 68,Subpart F.
 RoHS Compliant

△ MJ	UW	0808	F	F	XX	P	-	R2H	-	H
(1)	(2)	(3)	(4)	(5)	(6)	(7)		(8)		(9)

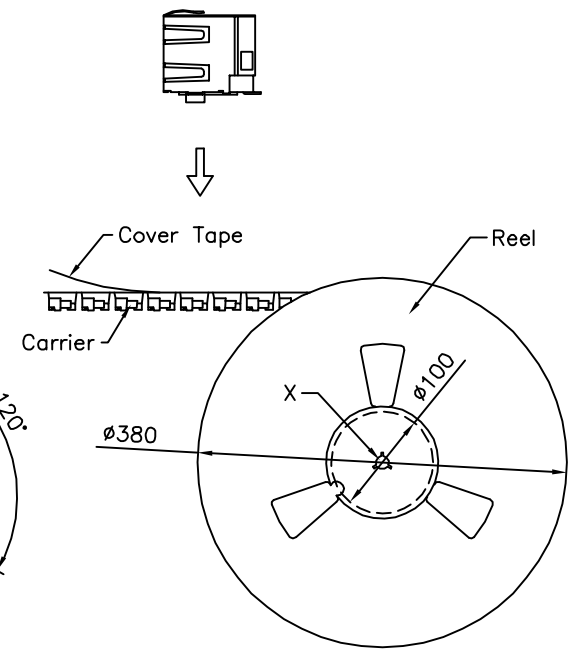
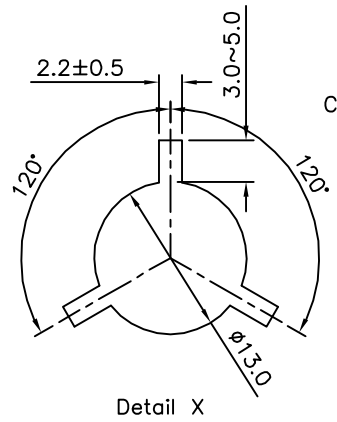
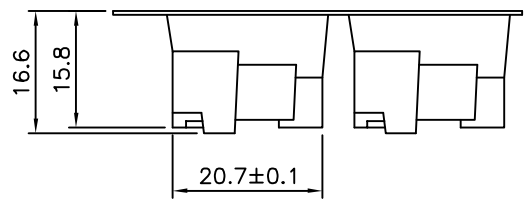
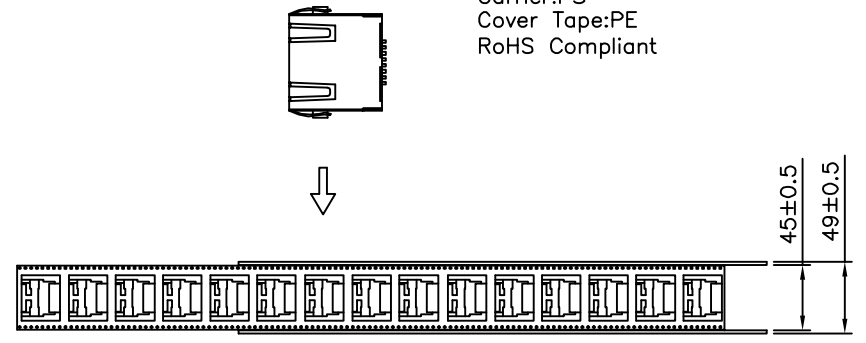
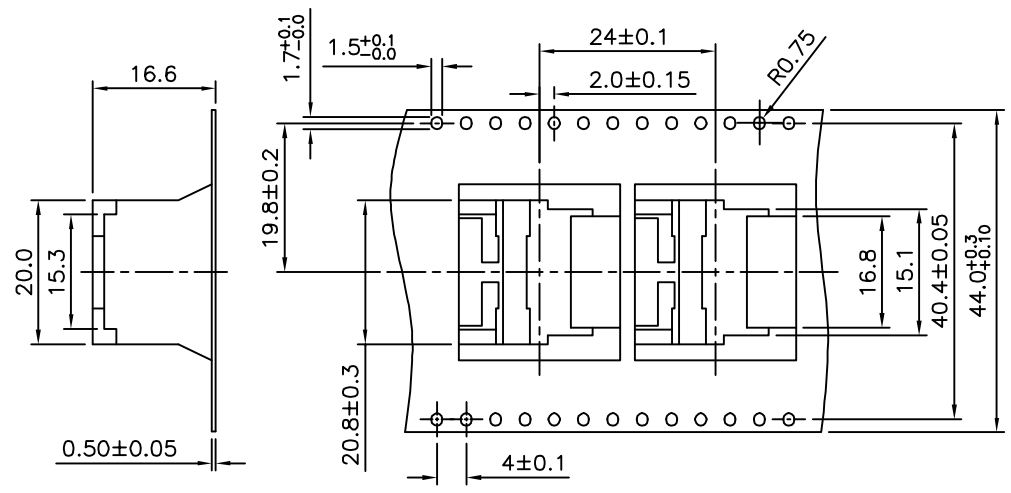
- (1) MJ:Modular Jack
- (2) UW:Upper LED Series SMT Right Angle
- (3) 0808:8P8C
- (4) F:Full Shielded
- (5) F:Full Panel Ground
- (6) XX>Contact Finish
 06:Gold Plated 06u" On Contact Area,Gold Flash On Other Area,Over Nickel
 15:Gold Plated 15u" On Area,Gold Flash On Other Area,Over Nickel
 30:Gold Plated 30u" On Contact Area,Gold Flash On Other Area,Over Nickel
 50:Gold Plated 50u" On Contact Area,Gold Flash On Other Area,Over Nickel
- (7) P:With 2 Post
- (8) R2H:Tape & Reel 200 PCS/Reel
- (9) H:RoHS Compliant

AUK A MEMBER OF AUK GROUP
太聯事業股份有限公司
AUK CONTRACTORS CO., LTD.

CATEGORY		APPROVED BY		UNLESS OTHERWISE SPECIFIED TOLERANCES ARE .X ±0.25 .XX ±0.20 .XXX ±0.10
PART No. MJUW0808FFXXP-R2H-H		MEI		
DRAWING No. MJUW0808FFXXP-R2H-H		GAO		
SCALE	NONE	REV.	A1	
		CHECKED BY		
		DRAWING BY		
		UNIT		mm

NO.	REV.	REVISIONS	CHK	DATE
△ A1		Modify P/N: MJUW0808FFXXP-R2H-HH → MJUW0808FFXXP-R2H-H	HZF	01/25/2013
△ A0		NEW RELEASE	HZF	07/18/2012

SPECIFICATION
 The Direction Of Jaks Put Into Carrier
 10 Empty Cavities For Both Of Top
 And Bottom Of The Carrier
 Q'ty:200 PCS/Reel
 Carrier:PS
 Cover Tape:PE
 RoHS Compliant



AUK A MEMBER OF AUK GROUP
太聯事業股份有限公司
AUK CONTRACTORS CO., LTD.

CATEGORY		APPROVED BY		UNLESS OTHERWISE SPECIFIED TOLERANCES ARE .X ±0.25 .XX ±0.13 .XXX ±0.05 ANG. ±0.5°
PART No. MJUW0808FFXXP-R2H-H		MEI		
DRAWING No. MJUW0808FFXXP-R2H-H		HZF		
SCALE NONE		GAO		
REV.	A1	UNIT	mm	

NO.	REV.	REVISIONS	CHK	DATE
△ A1		Modify P/N: MJUW0808FFXXP-R2H-HH --> MJUW0808FFXXP-R2H-H	HZF	01/25/2013
△ A0		NEW RELEASE	HZF	07/18/2012