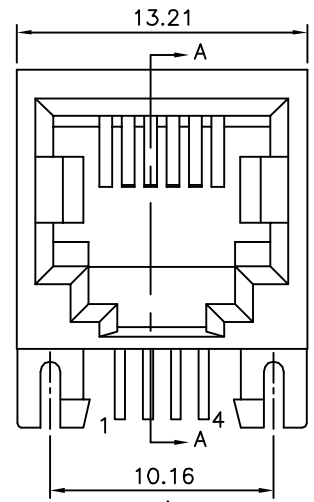
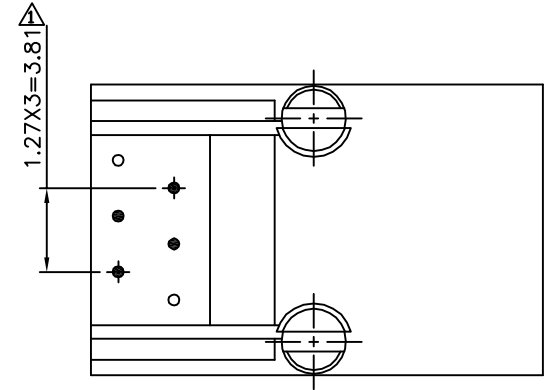


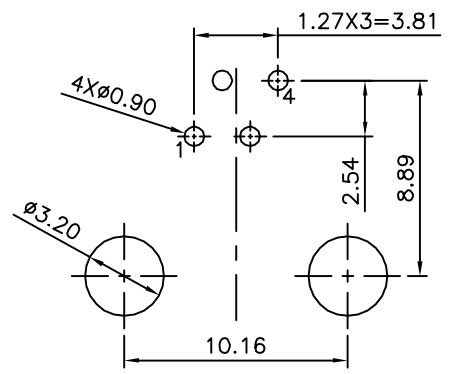
Section A-A



A



A



Recommended P.C.B. Layout
PCB Thickness:1.6mm

△△ SPECIFICATION

Current Rating:1.5 Amp
 Voltage Rating:125V AC RMS
 Dielectric Strength:1000V AC Or 1500V DC RMS
 @ 0.5mA 50Hz/60Hz 1 Minute
 Contact Resistance:20 Milliohms Max.
 Insulation Resistance:1000 Megaohms Min.
 At 500V DC
 Operation Temperature:-40°C~+85°C
 Storage Temperature:-40°C~+85°C
 Relative Humidity:<80%
 Housing&Insert:PBT(UL94V-0),Black
 Contact:Phosphor Bronze,ø0.46mm
 Operation Life:750 Cycles Min.
 Mating/Unmating Force:30N Max.
 Retention Strength:50N For 60s±5s
 Mates With Modular Plug Conforming To FCC
 Part 68,Subpart F.
 RoHS Compliant

△ MJ S 0604 K X XX - H
 (1) (2) (3) (4) (5) (6) (7)

- (1) MJ:Modular Jack
- (2) S:DIP Right Angle Second Profile 12.7mm
- (3) 0604:6P4C
- (4) K:Black Insulator
- (5) X:Without Panel Stop
- (6) XX>Contact Finish
 01:Gold Flash Over All,Over Nickel
 06:Gold Plated 6u" Over All,Over Nickel
 15:Gold Plated 15u" Over All,Over Nickel
 30:Gold Plated 30u" Over All,Over Nickel
- (7) H:RoHS Compliant

AUK A MEMBER OF AUK GROUP
太聯事業股份有限公司
AUK CONTRACTORS CO., LTD.

CATEGORY		APPROVED BY MEI		UNLESS OTHERWISE SPECIFIED TOLERANCES ARE △ .X ±0.25 △ .XX ±0.20 △ .XXX ±0.10 △ ANG. ±0.5°
PART No. MJS0604KXXX-H		CHECKED BY HZF		
DRAWING No. MJS0604KXXX-H		DRAWING BY GAO		
SCALE	NONE	REV.	A2	
UNIT	mm			

NO.	REV.	REVISIONS	CHK	DATE
△ A2		Modify Data	HZF	03/08/2013
△ A1		Modify Data	HZF	01/17/2011
△ A0		NEW RELEASE	HZF	06/17/2008