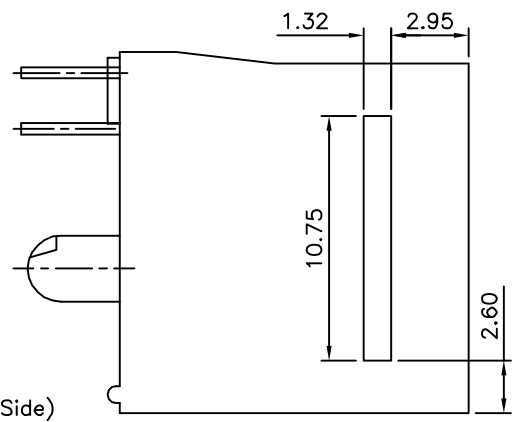
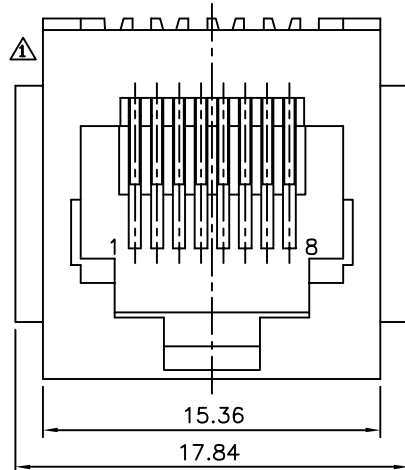
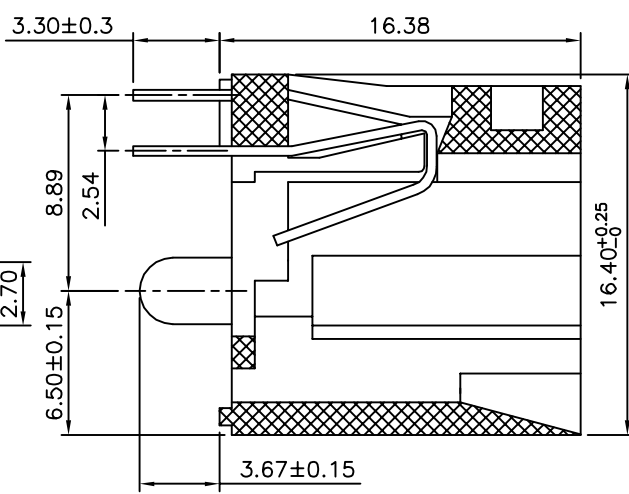
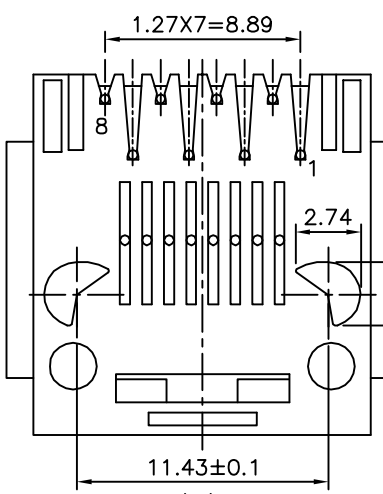


Recommended P.C.B. Layout(Component Side)
Tolerances±0.05 (Thickness=1.6mm)



△△△ SPECIFICATION

Voltage Rating:150V AC RMS
 Current Rating:1.5 A @ 25°C
 Contact Resistance:20 Milliohms Max.
 Insulation Resistance:1000 Megaohms Min. @ 500V DC
 Dielectric Strength:1000V AC RMS,Contact To Contact Or
 1500V DC,Contact To Screen And Test Panel
 @0.5mA 50 Hz Or 60 Hz For 1Minute
 Mating/Unmating Force:30N Max.
 Retention Strength:50N For 60S±5S
 Durability:750 Cycles Min.
 Storage Temperature:-40°C~+85°C
 Relative Humidity<80%
 Operation Temperature:-40°C~+85°C
 Housing&Insert:PBT(UL94V-0),Black
 Contact:Phosphor Bronze,ø0.46mm
 Mates With Modular Plug Conforming To IEC-60603
 & TIA-1096
 RoHS Compliant



△△ MJ D 0808 K E XX -H
 (1) (2) (3) (4) (5) (6) (7)

- (1) MJ:Modular Jack
- (2) D:DIP Straight
- (3) 0808:8P8C
- (4) K:Insulator Color Black
- (5) E:With Panel Stop
- △ (6) XX:Contact Finish
 01:Gold Flash Over All,Over Nickel
 06:Gold Plated 6u" Over All,Over Nickel
 15:Gold Plated 15u" Over All,Over Nickel
 30:Gold Plated 30u" Over All,Over Nickel
- (7) H:RoHS Compliant

AUK A MEMBER OF AUK GROUP
太聯事業股份有限公司
AUK CONTRACTORS CO., LTD.

CATEGORY		APPROVED BY		UNLESS OTHERWISE SPECIFIED TOLERANCES ARE △ 0~15 ±0.15 △ 15~30 ±0.20 △ 30~ ±0.25 △ ANG. ±1°	△ A4	Modify Data	HZF	11/24/2014
PART No.		CHECKED BY			△ A3	Modify Data	HZF	10/20/2011
DRAWING No.		DRAWING BY			△ A2	Modify Data	HZF	11/24/2009
SCALE		REV.			△ A1	Modify Data	HZF	09/08/2009
NONE		A4		UNIT	△ A0	NEW RELEASE	HZF	08/28/2007
				mm	NO.REV.	REVISIONS	CHK	DATE