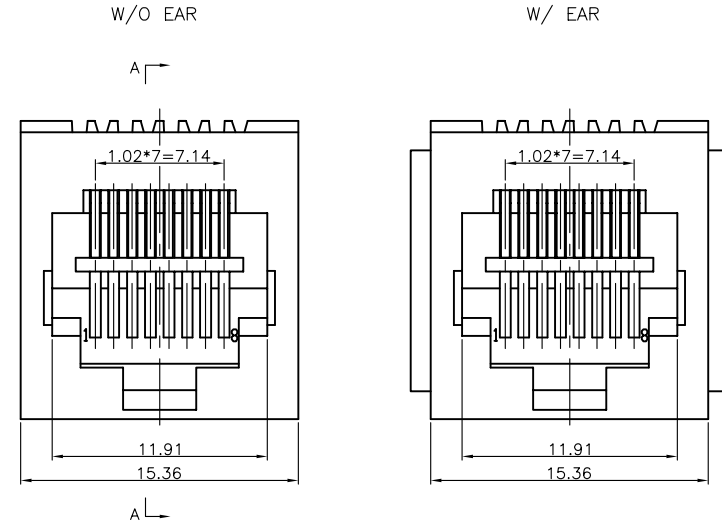
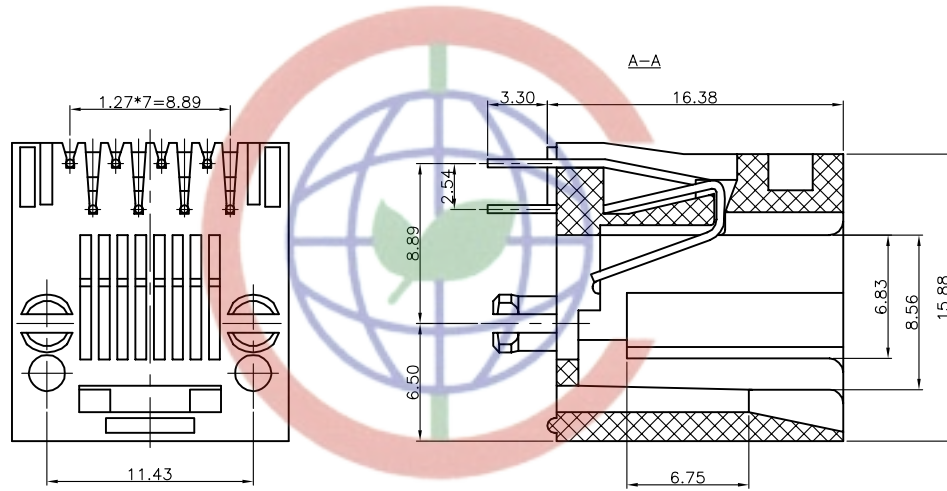


REV.	DESCRIPTION	DRAWN	CHECKED	APPROVED
A	NEW RELEASE	YCH 12/01/09'	~	

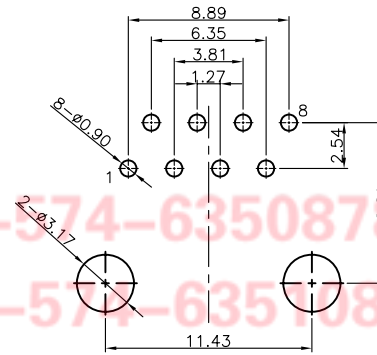


SPECIFICATION

1. Insulation Resistance:1000MΩ Min.
2. Withstand Voltage:500V AC/Minute.
3. Durability:600 Mating Cycles Min.
4. Contact Resistance: 50mΩ Max.
5. Product Number Code:

DS1134-06-X X X X X

- Ear Support
S:W/ Ear
X:W/O Ear
- Housing Color
B:Black
A:Gray
- Contact Plating
0:Gold Flash
3:Selective 3u" Gold
(6;15;30)Micro Inch
- No.Of Contacts
8:8P8C
4:8P4C
- Connector Type
S:Socket



RECOMMEND PCB LAYOUT

TOLERANCE=±0.05mm

Tel:86-574-63508787

Fax:86-574-63510817

E-mail:sale@zhengjin.com.cn

Http://www.connfly.com

GENERAL TOLERANCE		ANGLE TOLERANCE		PROJECTION	TITLE
X.	±0.60	X.	±5°		PCB JACK 8p
.X	±0.38	.X	±3°	mm	
.XX	±0.25	.XX	±2°		
DRAWING TYPE		CUSTOMER		SHEET SIZE	SERIES
SCALE		1:1		A4	DS1134-06 SERIES
DRAWING NO.		C-DS1134-06-XXXX		SHEET 1 OF 1	



晨翔电子有限公司

CONNFLY CONNFLY ELECTRONIC CO. LTD