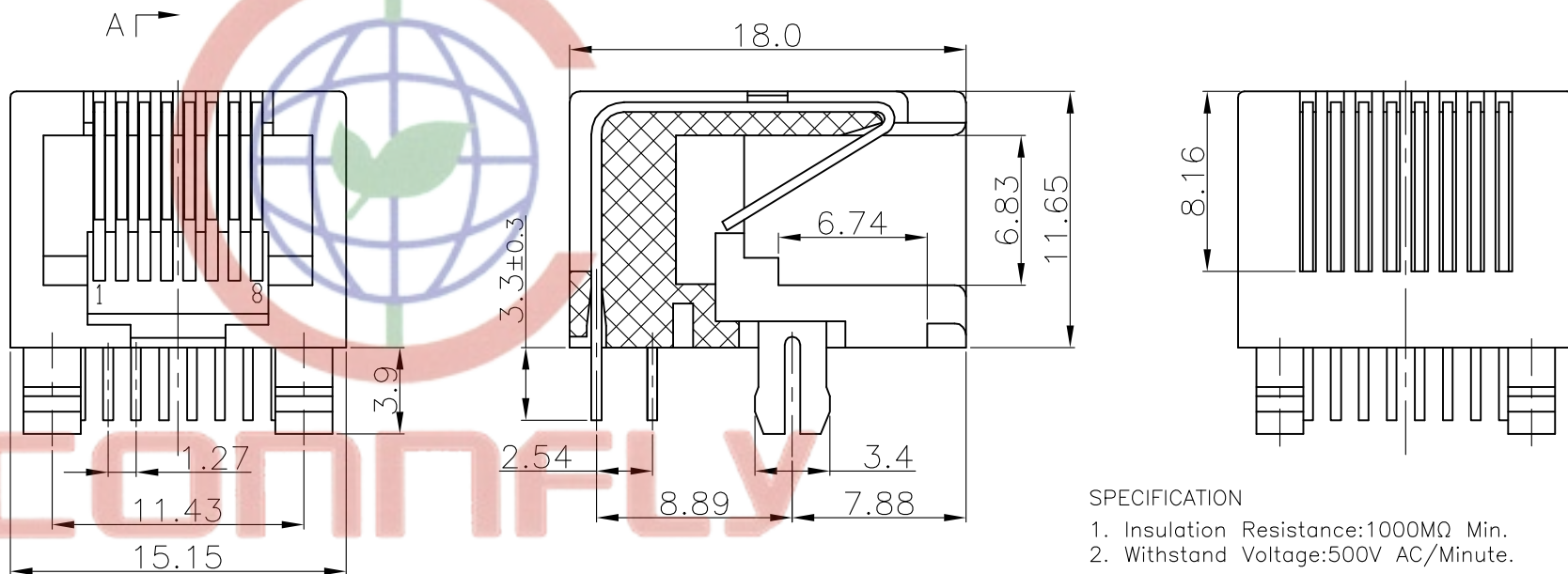


REV.	DESCRIPTION	DRAWN	CHECKED	APPROVED
A	NEW RELEASE	YCH 04/13/09'	~	



SPECIFICATION

1. Insulation Resistance:1000MΩ Min.
2. Withstand Voltage:500V AC/Minute.
3. Durability:600 Mating Cycles Min.
4. Contact Resistance: 50mΩ Max.
5. Product Number Code:

DS1134-05-X X X X X

Ear Support  
S:W/ Ear  
X:W/O Ear

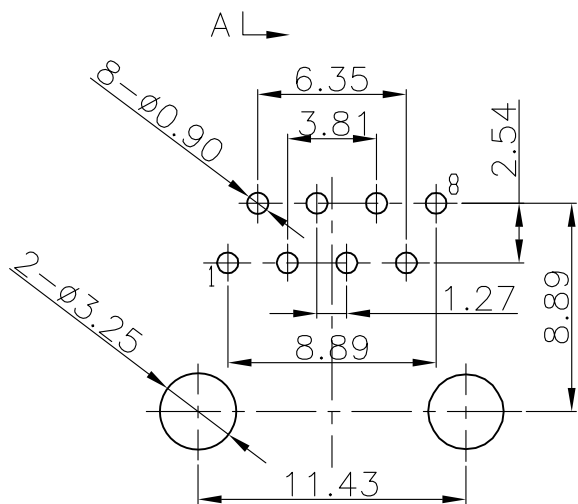
Housing Color  
B:Black  
A:Gray

Contact Plating  
0:Gold Flash  
3:Selective 3u" Gold

(6;15;30)Micro Inch

No.Of Contacts  
8:8P8C

Connector Type  
S:Socket



GENERAL TOLERANCE		ANGLE TOLERANCE		PROJECTION	TITLE
X.	±0.60	X.	±5°	mm	PCB JACK 8p
.X	±0.38	.X	±3°	A4	SERIES DS1134-05 SERIES
.XX	±0.25	.XX	±2°		
DRAWING TYPE	CUSTOMER		晨翔电子有限公司 CONNFLY CONNFLY ELECTRONIC CO. LTD		
SCALE	1:1	SHEET	1 OF 1		
DRAWING NO.	C-DS1134-05-XXXX				

Tel:86-574-63508787  
 Fax:86-574-6351081  
 E-mail:sale@zhenqi.com.cn  
 Http://www.connfly.com