

REV.	DESCRIPTION	DRAWN	CHECKED	APPROVED
A	NEW RELEASE	LL 06/26/06'		

SPECIFICATION

1. Insulation Resistance:1000MΩ Min.
2. Withstand Voltage:500V AC/Minute.
3. Durability:600 Mating Cycles Min.
4. Product Number Code:

DS1134-02-X X X X X X

Ear Support
S:W/ Ear
X:W/O Ear

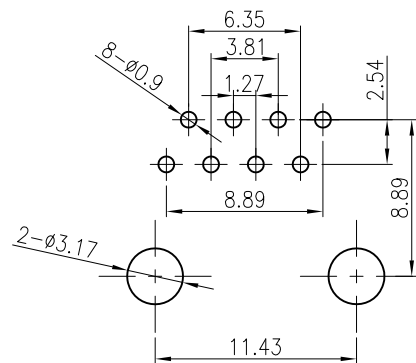
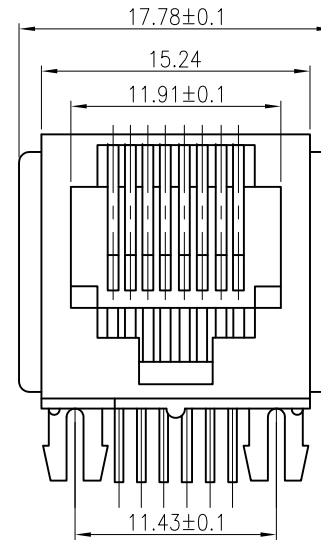
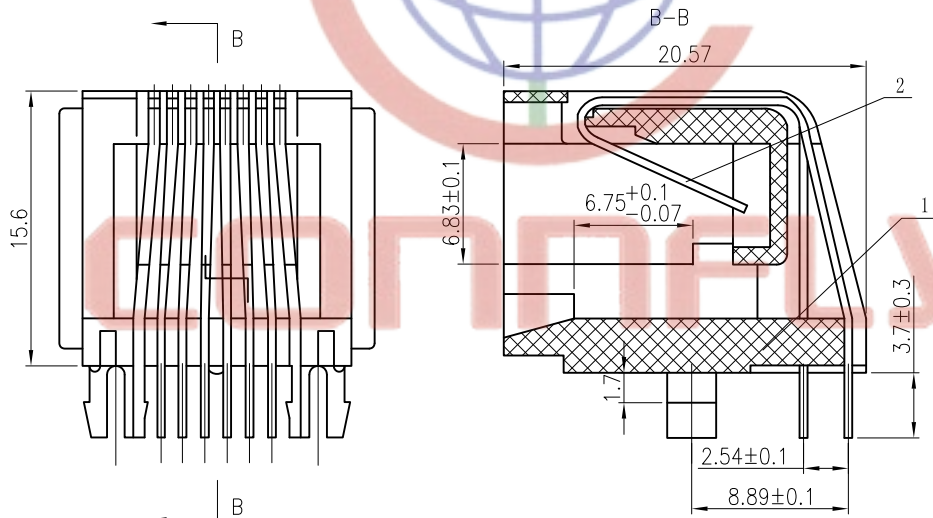
Housing Materials
P:PBT
N:NYLON
Housing Color
B:Black

Contact Plating
0:Gold Flash
3:Selective 3u" Gold
(6;15;30)Micro Inch

No.Of Contacts
8:8P8C

Connector Type
S:Socket

Series No.
DS1134-02



RECOMMEND PCB LAYOUT(TOLERANCE=±0.05)

GENERAL TOLERANCE		ANGLE TOLERANCE	
X.	±0.60	X.	±5'
.X	±0.38	.X	±3'
.XX	±0.25	.XX	±2'

PROJECTION	TITLE
	PCB JACK 8P
UNITS	mm
SHEET SIZE	A4
SERIES	DS1134-02 SERIES

No.	PART NAME	Q'TY	MATERAIL	REMARK
(2)	PIN		PHOSPHOR BRONZE	GOLD-PLATING OVER NICKEL
(1)	HOUSING	1	PBT OR NYLON	UL94 V-0 OR 94 V-2

DRAWING TYPE	CUSTOMER
SCALE	1:1 SHEET 1 OF 1
DRAWING NO.	C-DS1134-02-XXXXX

晨翔电子有限公司
CONNFLY CONNFLY ELECTRONIC CO. LTD

Tel:86-574-63508787
Fax:86-574-63510817
E-mail:sale@zhenqin.com.cn
Http://www.connfly.com
Add:East Industry Zone KuangYan