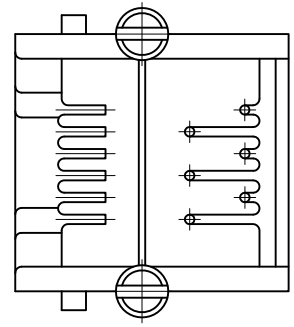
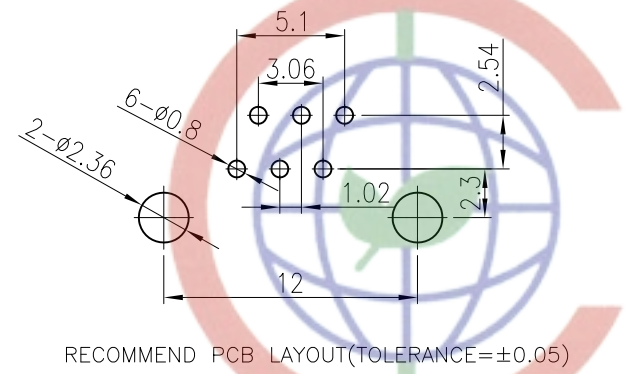
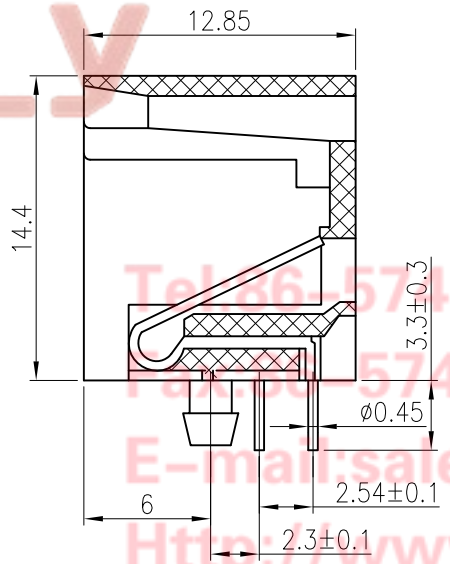
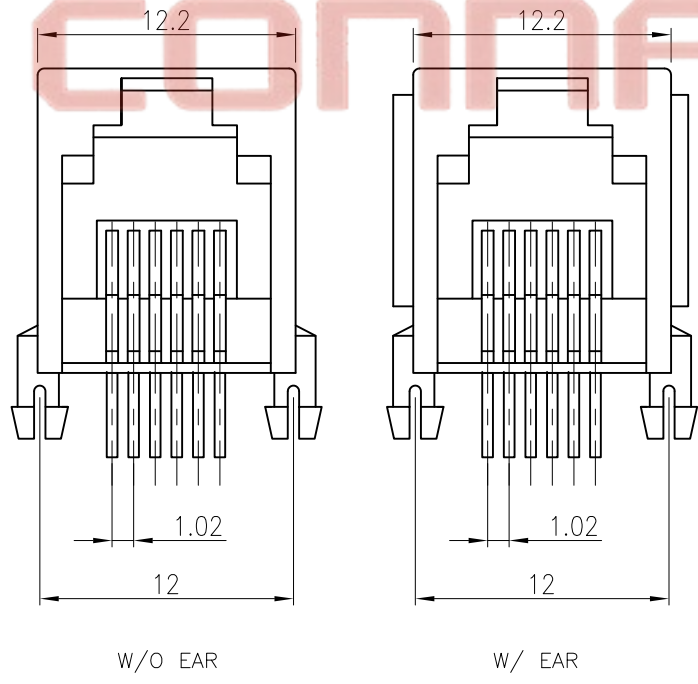


REV.	DESCRIPTION	DRAWN	CHECKED	APPROVED
A	NEW RELEASE	LL 06/26/06'		



SPECIFICATION

- Insulation Resistance:1000MΩ Min.
 - Withstand Voltage:500V AC/Minute.
 - Durability:600 Mating Cycles Min.
 - Product Number Code:
DS1133-X X X X X X
- Ear Support
S:W/ Ear
X:W/O Ear
 - Housing Materials
P:PBT
N:NYLON
 - Housing Color
A:Gray
B:Black
 - Contact Plating
0:Gold Flash
3:Selective 3u" Gold
6:Selective 6u" Gold
15:Selective 15u" Gold
30:Selective 30u" Gold
 - No.Of Contacts
6:6P6C 4:6P4C 2:6P2C
 - Connector Type
S:Socket
 - Series No.
DS1133



Tel:86-574-63508787
 Fax:86-574-63510817
 E-mail:sale@zhenqin.com.cn
 Http://www.connfly.com

Add:East Industry Zone KuangYan

GENERAL TOLERANCE		ANGLE TOLERANCE		PROJECTION	TITLE	PCB JACK 6P		
X.	±0.60	X.	±5'	UNITS	mm			
.X	±0.38	.X	±3'	SHEET SIZE	A4	SERIES	DS1133 SERIES	
.XX	±0.25	.XX	±2'	晨翔电子有限公司 CONNFLY CONNFLY ELECTRONIC CO. LTD				
DRAWING TYPE	CUSTOMER							
SCALE	1:1	SHEET	1 OF 1					
DRAWING NO.	C-DS1133-XXXXXX							