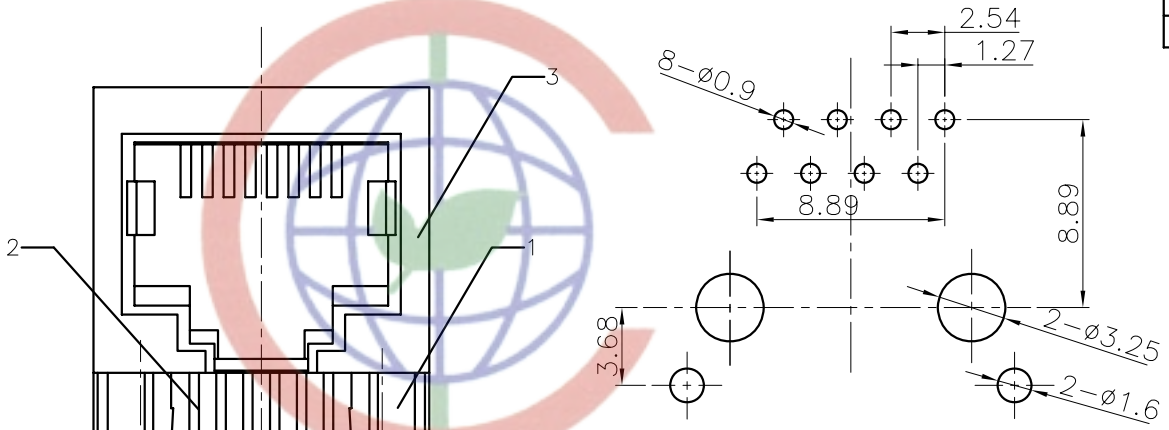
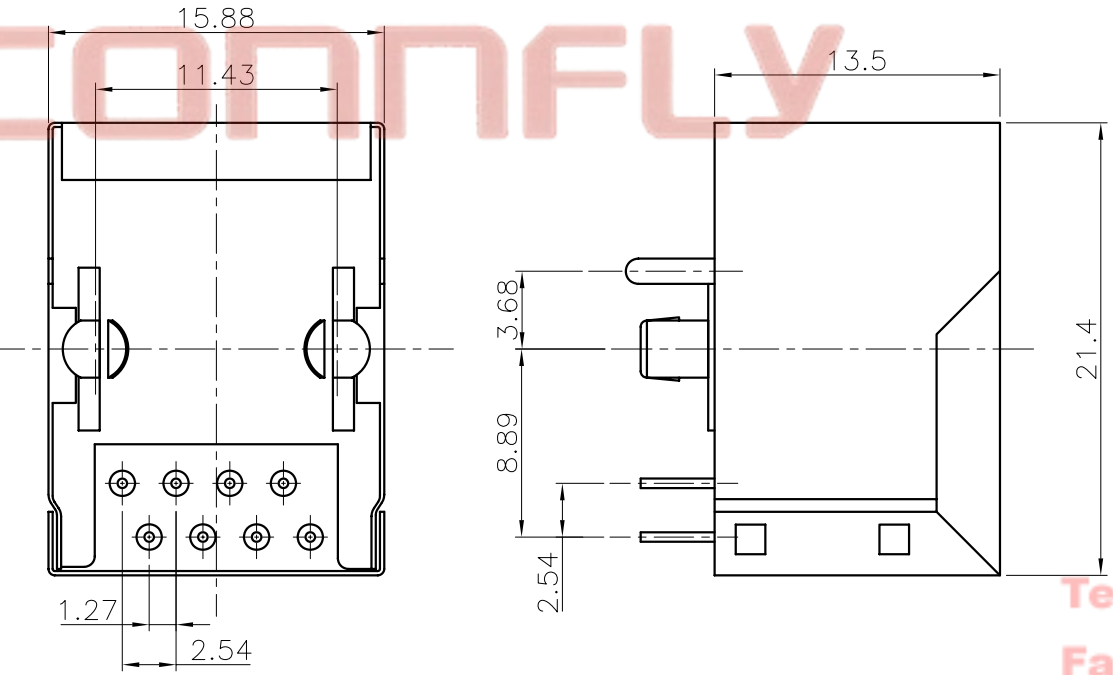


REV.	DESCRIPTION	DRAWN	CHECKED	APPROVED
A	NEW RELEASE	LJH 03/26/06'		

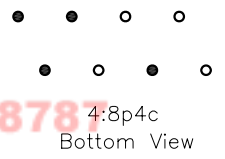


RECOMMEND PCB LAYOUT(TOLERANCE=±0.05)



SPECIFICATION

- Insulation Resistance:1000MΩ Min.
  - Withstand Voltage:500V,AC/Minute.
  - Durability:600 Cycles Min.
  - Product Number Code:
- DS1128-X X X X X
- Housing Materials  
P:PBT  
N:NYLON
  - Housing Color  
B:Black
  - Contact Plating  
0:Gold Flash  
3:Selective 3u" Gold  
(6;15;30)Micro Inch
  - No.Of Contacts  
4:8p4c 6:8p6c 8:8p8c
  - Connector Type  
S:Socket
  - Series No.  
DS1128



Tel: 86-574-63508787  
Fax: 86-574-63510817

(3)	SHIELDING	1	COPPER ALLOY	0.20mm THICKNESS
(2)	PIN		PHOSPHOR BRONZE	GOLD PLATING
(1)	HOUSING	1	PBT OR NYLON	UL94 V-0 OR 94 V-2
No.	PART NAME	Q'ty	MATERAIL	REMARK

GENERAL TOLERANCE		ANGLE TOLERANCE		PROJECTION	TITLE
X.	±0.60	X.	±5'	mm	PCB JACK 8P 1PORT
.X	±0.38	.X	±3'	A4	SERIES DS1128 SERIES
.XX	±0.25	.XX	±2'		
DRAWING TYPE		CUSTOMER			
SCALE		1:1	SHEET	1 OF 1	
DRAWING NO.		C-DS1128-XXXX			

晨翔电子有限公司  
CONNFLY CONNFLY ELECTRONIC CO. LTD