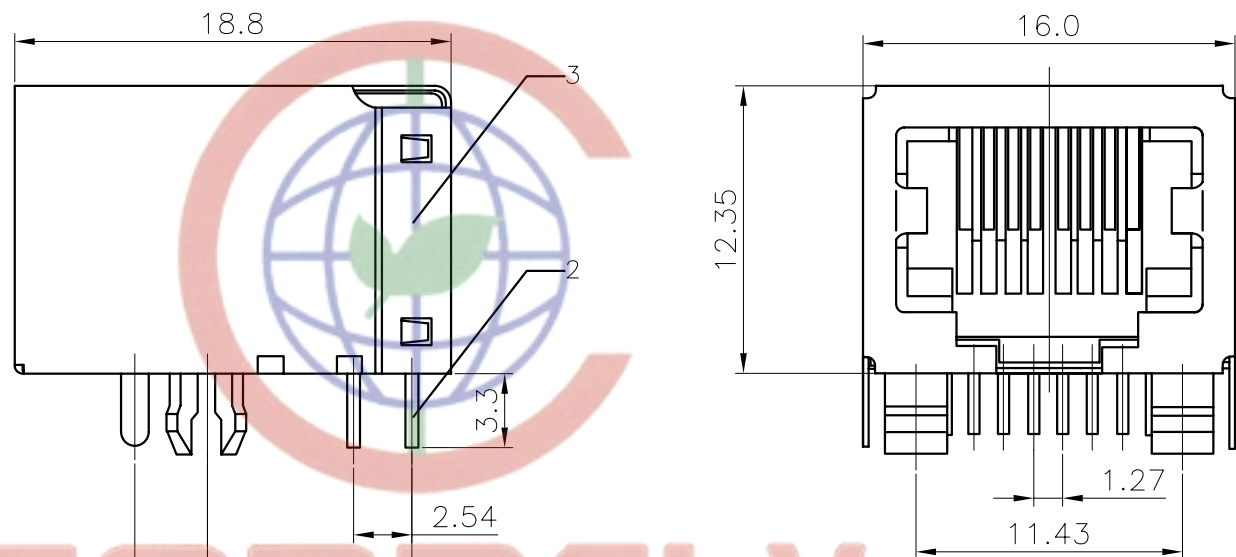
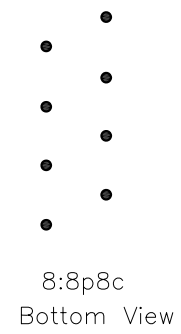
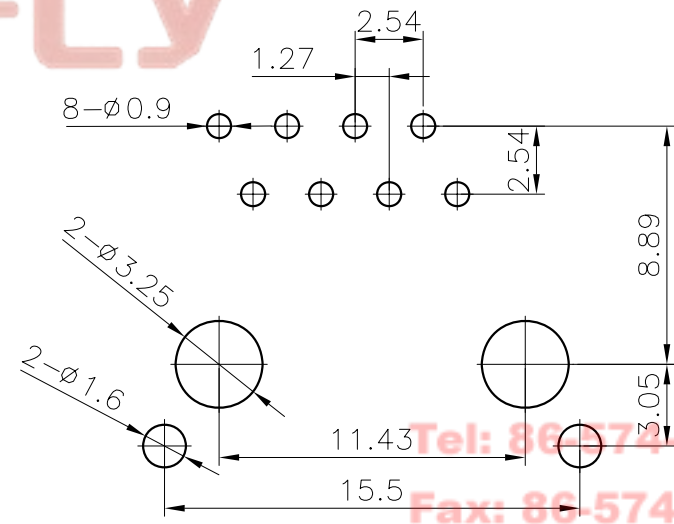
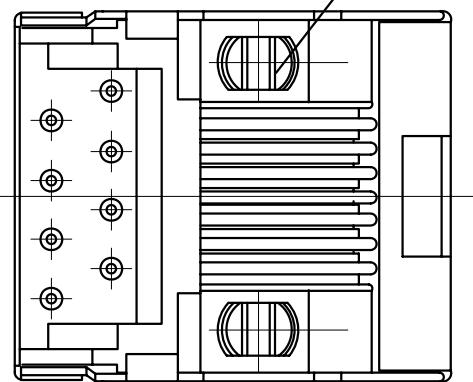


REV.	DESCRIPTION	DRAWN	CHECKED	APPROVED
A	NEW RELEASE	LL 03/26/06'		



SPECIFICATION

- Insulation Resistance:1000MΩ Min.
 - Withstand Voltage:500V AC/Minute.
 - Durability:600 Cycles Min.
 - Product Number Code:
DS1126-X X X X X
- Housing Materials
P:PBT
N:NYLON
 - Housing Color
B:Black
 - Contact Plating
0:Gold Flash
3:Selective 3u" Gold
(6;15;30)Micro Inch
 - No.Of Contacts
4:8p4c 6:8p6c 8:8p8c
 - Connector Type
S:Socket
 - Series No.
DS1126



RECOMMEND PCB LAYOUT(TOLERANCE=±0.05)

GENERAL TOLERANCE		ANGLE TOLERANCE		PROJECTION	UNIT	TITLE	PCB JACK 8P
X.	±0.60	X.	±5'	mm			
.X	±0.38	.X	±3'	A4	SERIES	DS1126 SERIES	
.XX	±0.25	.XX	±2'				
DRAWING TYPE		CUSTOMER		Add: West China			
SCALE		1:1		SHEET 1 OF 1			
DRAWING NO.		C-DS1126-XXXXX		晨翔电子有限公司			
				CONFLY CONFLY ELECTRONIC CO. LTD			

(3)	SHIELDING	1	COPPER ALLOY WITH NICKEL PLATED	0.20mm THICKNESS
(2)	PIN		PHOSPHOR BRONZE	GOLD-PLATING OVER NICKEL
(1)	HOUSING	1	PBT	UL94 V-0 OR 94 V-2
No.	PART NAME	Q'ty	MATERIAL	REMARK

CONFLY

Tel: 86-574-63508787
Fax: 86-574-63510817

