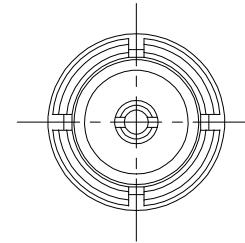
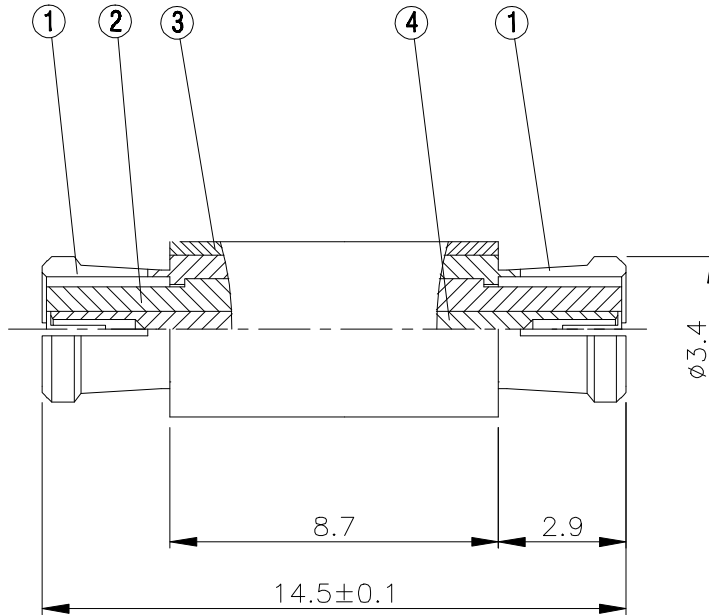
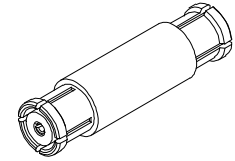


NO	DESCRIPTION	MATERIAL	Q'TY	FINISH	REMARK
1	BODY	BE CU	2	GOLD	B-SMP1364-G
2	INSULATION	TEFLON	1	TEFLON	I-0639T
3	BODY 2	BRASS	1	GOLD	B-SMP1362-G
4	PIN	BE CU	1	GOLD	P-SMP0936-G



	HUS-TSAN GROUP CO., LTD.		DRAWN	蘇志欣	DATE	97.11.07	DIMENSIONS ARE IN MILLIMETERS		REVISION	
	P.O.BOX 40-76.TAINAN.TAIWAN,R.O.C.		CHECKED	蘇姿潔	DATE		UNLESS OTHERWISE SPECIFIED TOLERANCE		DESCRIPTION	ENGINEER
	TITLE SMP FEMALE -FEMALE ADAPTOR Nonimal Board-to-Board Distance		Q.A.	林妙禪	DATE		0.5-5=±0.2	120-315=±1		
	PART NO. SMP-05V8-TGG		APPROVAL	徐燦霖	DATE		5-30= ±0.4	315-1000=±1.6		
	DRAWING NO. SMP 05V8 TGG		REVISION		DATE		30-120±0.6	1000-2000=±2.4		
						SCALE	4:1	SIZE	A	