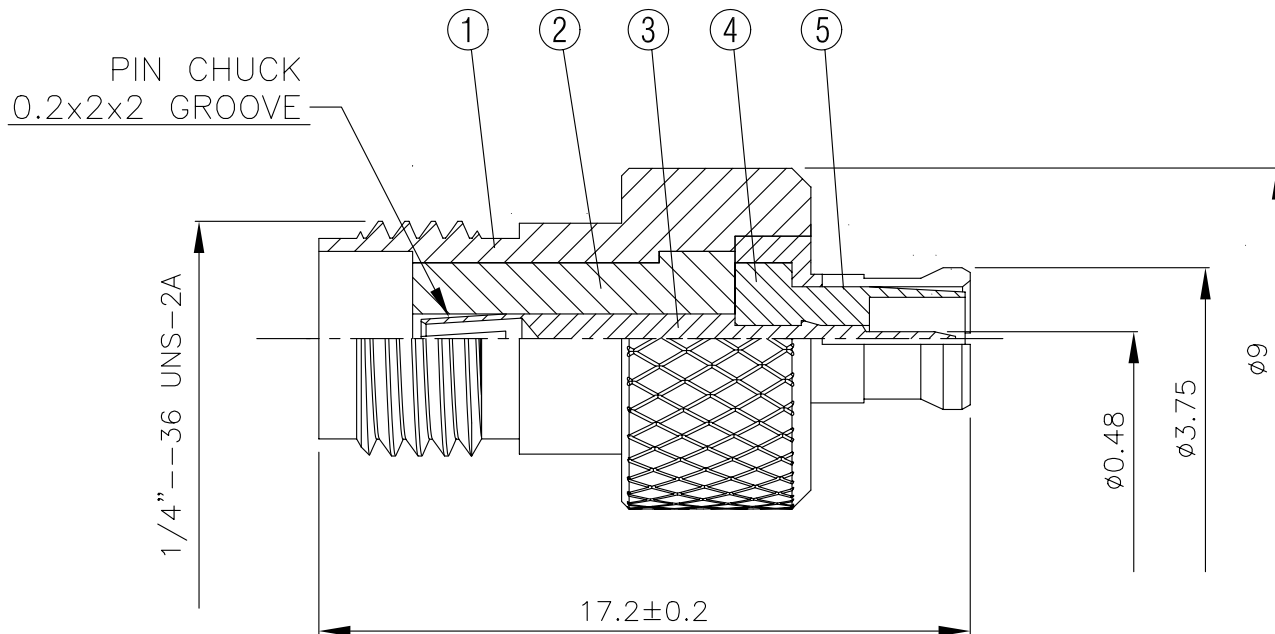
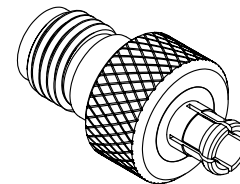
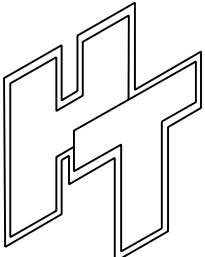


NO	DESCRIPTION	MATERIAL	Q'TY	FINISH	REMARK
1	BODY 1	BRASS	1	GOLD	B-SMA0632-G
2	INSULATION 1	TEFLON	1	TEFLON	I-0286T
3	PIN	BE CU	1	GOLD	P-MCX0405-G
4	INSULATION 2	TEFLON	1	TEFLON	I-0276T
5	BODY 2	BE CU	1	GOLD	B-MCX0596-G



	HUS-TSAN GROUP CO., LTD. P.O. BOX 40-76. TAINAN. TAIWAN, R.O.C.	DRAWN MARY DATE 96.03.27	DIMENSIONS ARE IN MILLIMETERS		REVISION	
	TITLE SMA FEMALE - MCX MALE ADAPTOR PART NO. SMA-64-TGG DRAWING NO. SMA 64 TGG	CHECKED 黃巧君 DATE	UNLESS OTHERWISE SPECIFIED TOLERANCE		DESCRIPTION	ENGINEER
		Q.A. 蘇姿潔 DATE	0.5-5=±0.2	120-315=±1		
		APPROVAL 徐燦霖 DATE	5-30=±0.4	315-1000=±1.6		
		REVISION DATE	30-120±0.6	1000-2000=±2.4		
		SCALE 4:1	SIZE A			