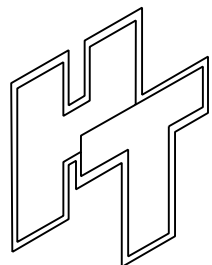
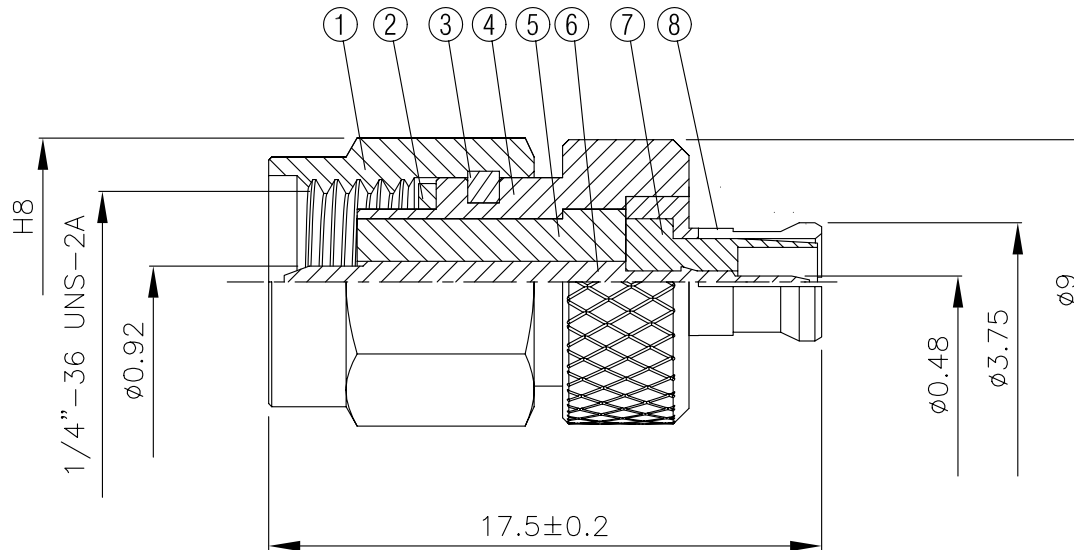
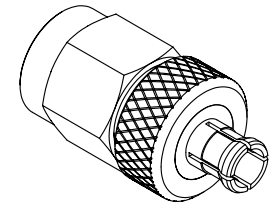


NO	DESCRIPTION	MATERIAL	QTY	FINISH	REMARK
1	BODY 1	BRASS	1	GOLD	B-SMA0043-G
2	GASKET	SI RUBBER	1	RUBBER	RU-0008
3	WASHER	PH.BRONZE	1	GOLD	W-0012
4	BODY 2	BRASS	1	GOLD	B-SMA0614-G
5	INSULATION 1	TEFLON	1	TEFLON	I-0286T
6	PIN	PH.BRONZE	1	GOLD	P-SMA0403-G
7	INSULATION 2	TEFLON	1	TEFLON	I-0276T
8	BODY 4	BRASS	1	GOLD	B-MCX0596-G



HUS-TSAN GROUP CO., LTD.

P.O. BOX 40-76. TAINAN. TAIWAN, R.O.C.

TITLE SMA MALE - MCX MALE ADAPTOR

PART NO. SMA-60-TGG

DRAWING NO. SMA 60 TGG

DRAWN MARY

DATE 96.03.29

CHECKED 黃巧君

DATE

Q.A. 蘇姿潔

DATE

APPROVAL 徐燦霖

DATE

REVISION

DATE

DIMENSIONS ARE IN MILLIMETERS

UNLESS OTHERWISE SPECIFIED TOLERANCE

0.5-5 = ± 0.2	120-315 = ± 1
5-30 = ± 0.4	315-1000 = ± 1.6
30-120 ± 0.6	1000-2000 = ± 2.4

SCALE 4:1 SIZE A

REVISION

DESCRIPTION	ENGINEER