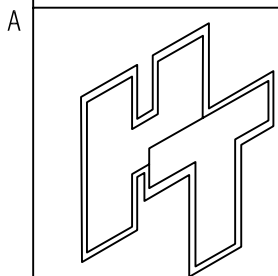
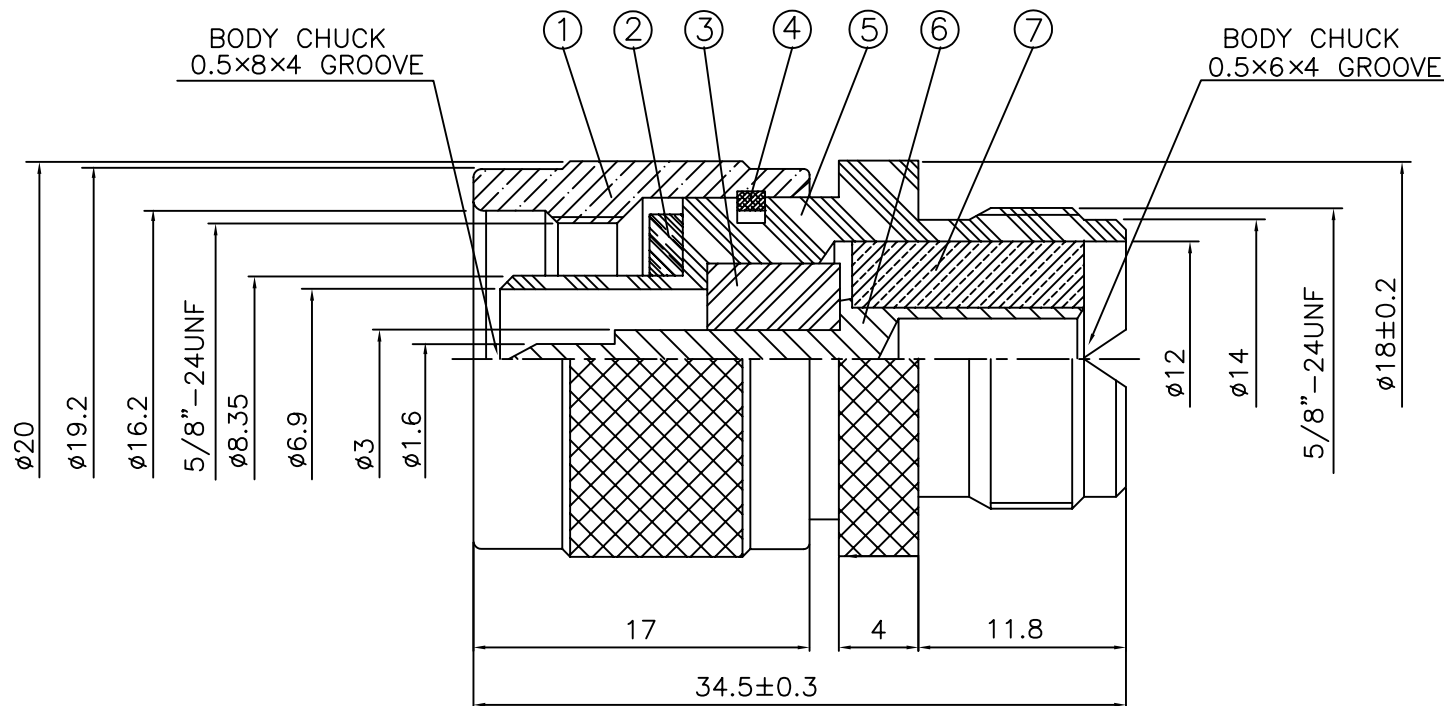
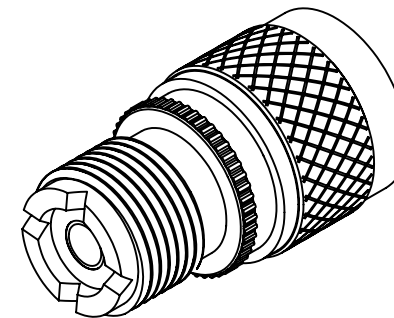


NO	DESCRIPTION	MATERIAL	Q'TY	FINISH
1	SHELL	BRASS	1	NICKEL
2	GASKET	SI RUBBER	1	RUBBER
3	INSULATION	DELRIN	1	DELRIN
4	WASHER	BRASS	1	NICKEL
5	BODY	BRASS	1	NICKEL
6	PIN	BRASS	1	GOLD
7	INSULATION	DELRIN	1	DELRIN



HUS-TSAN GROUP CO., LTD.

P.O. BOX 40-76.TAINAN.TAIWAN,R.O.C.

TITLE N MALE - UHF FEMALE ADAPTOR

PART NO. N-12-DGN

DRAWING NO. N12DGN

DRAWN MARY DATE 96.06.04

CHECKED 蘇志欣 DATE

Q.A. 蘇姿潔 DATE

APPROVAL 徐燦霖 DATE

REVISION DATE

DIMENSIONS ARE IN MILLIMETERS

UNLESS OTHERWISE SPECIFIED TOLERANCE

0.5-5=±0.2 120-315=±1

5-30=±0.4 315-1000=±1.6

30-120=±0.6 1000-2000=±2.4

SCALE 4:1 SIZE A

REVISION

DESCRIPTION ENGINEER