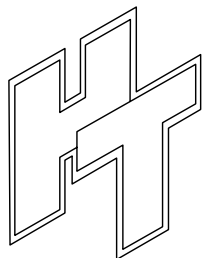
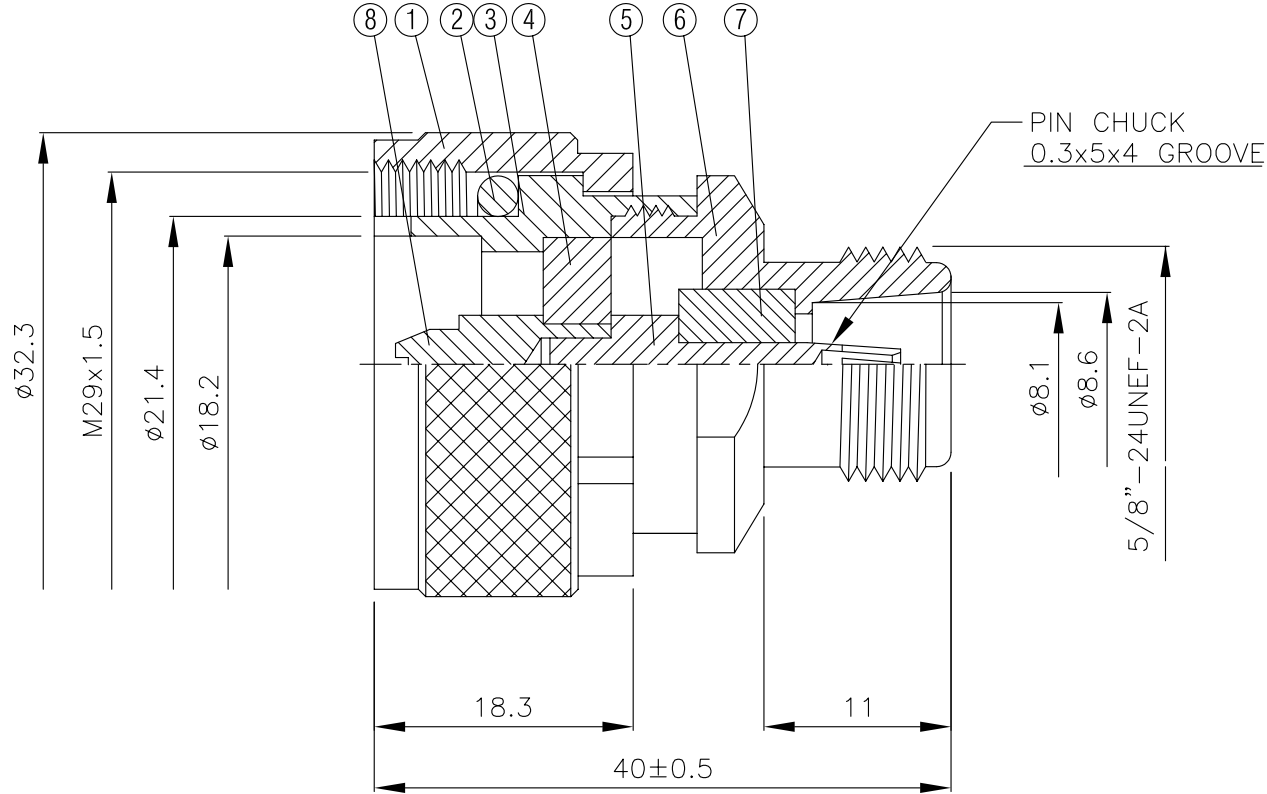
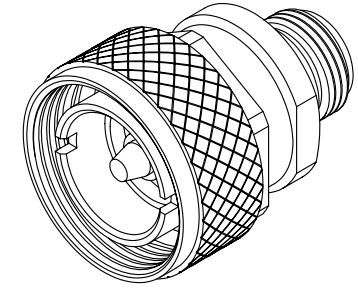


NO	DESCRIPTION	MATERIAL	Q'TY	FINISH	REMARK
1	BODY 1	BRASS	1	SILVER	B-7160338-S
2	GASKET	SI RUBBER	1	RUBBER	RU-0020
3	BODY 2	BRASS	1	SILVER	B-7160339-S
4	INSULATION 1	TEFLON	1	TEFLON	I-0211T
5	PIN	BRASS	1	SILVER	P-7160215-S
6	BODY 3	BRASS	1	SILVER	B-7160373-S
7	INSULATION 2	TEFLON	1	TEFLON	I-0312T
8	PIN	BRASS	1	SILVER	P-7160522-S



HUS-TSAN GROUP CO., LTD.

P.O.BOX 40-76.TAINAN.TAIWAN,R.O.C.

TITLE 7/16 MALE -N FEMALE

PART NO. 716-13-TSS

DRAWING NO. 716-13-TSS

DRAWN MARY DATE 92.05.01

CHECKED 蘇姿潔 DATE

Q.A. 馮健華 DATE

APPROVAL 徐燦霖 DATE

REVISION DATE

DIMENSIONS ARE IN MILLIMETERS

UNLESS OTHERWISE SPECIFIED TOLERANCE

0.5-5=±0.2 120-315=±1

5-30= ±0.4 315-1000=±1.6

30-120±0.6 1000-2000=±2.4

SCALE 4:1 SIZE A

REVISION

DESCRIPTION ENGINEER

D

C

B

A

D

C

B

A

4

3

2

1