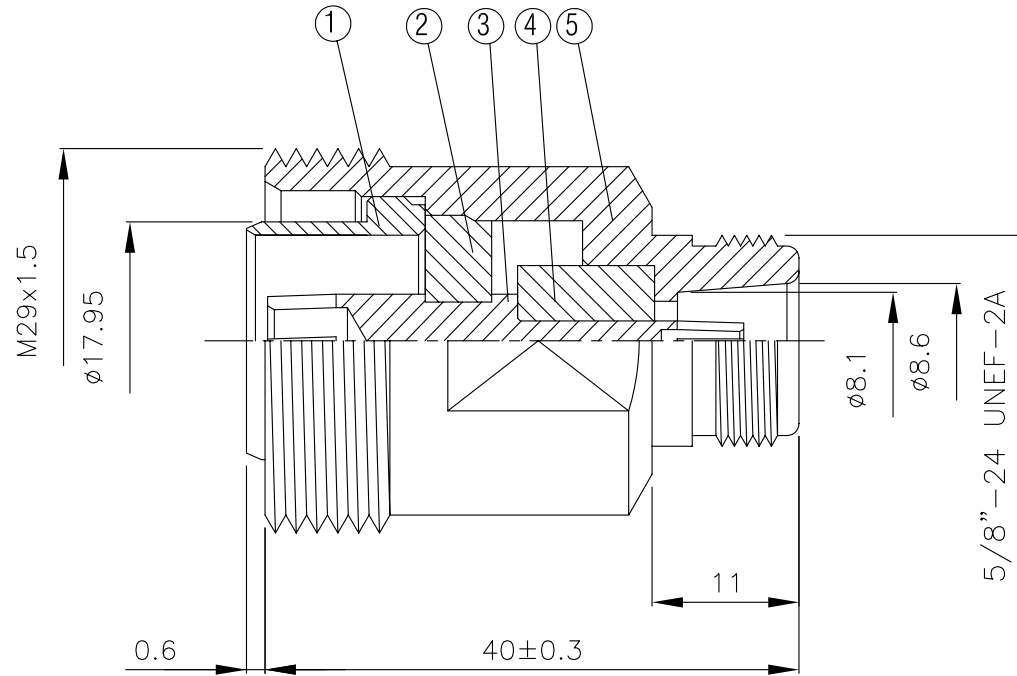
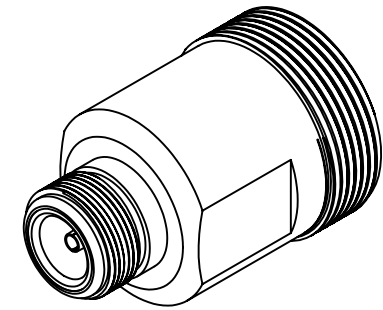


NO	DESCRIPTION	MATERIAL	Q'TY	FINISH	REMARK
1	BODY 1	BRASS	1	SILVER	B-7160343-S
2	INSULATION 1	TEFLON	1	TEFLON	I-0164T
3	PIN	BRASS	1	SILVER	P-7160215-S
4	INSULATION 2	TEFLON	1	TEFLON	I-0121T
5	BODY 2	BRASS	1	SILVER	B-7160342-S



	HUS-TSAN GROUP CO., LTD. P.O.BOX 40-76.TAINAN.TAIWAN,R.O.C.		DRAWN MARY DATE 96.08.30	DIMENSIONS ARE IN MILLIMETERS		REVISION	
	TITLE 7/16 FEMALE -N FEMALE		CHECKED 蘇志欣 DATE	UNLESS OTHERWISE SPECIFIED TOLERANCE		DESCRIPTION	ENGINEER
	PART NO. 716-12-TSS		Q.A. 蘇姿潔 DATE	0.5-5=±0.2 120-315=±1 5-30= ±0.4 315-1000=±1.6 30-120±0.6 1000-2000=±2.4			
	DRAWING NO. 716 12 TSS		APPROVAL 徐燦霖 DATE	SCALE 4:1 SIZE A			
			REVISION DATE				