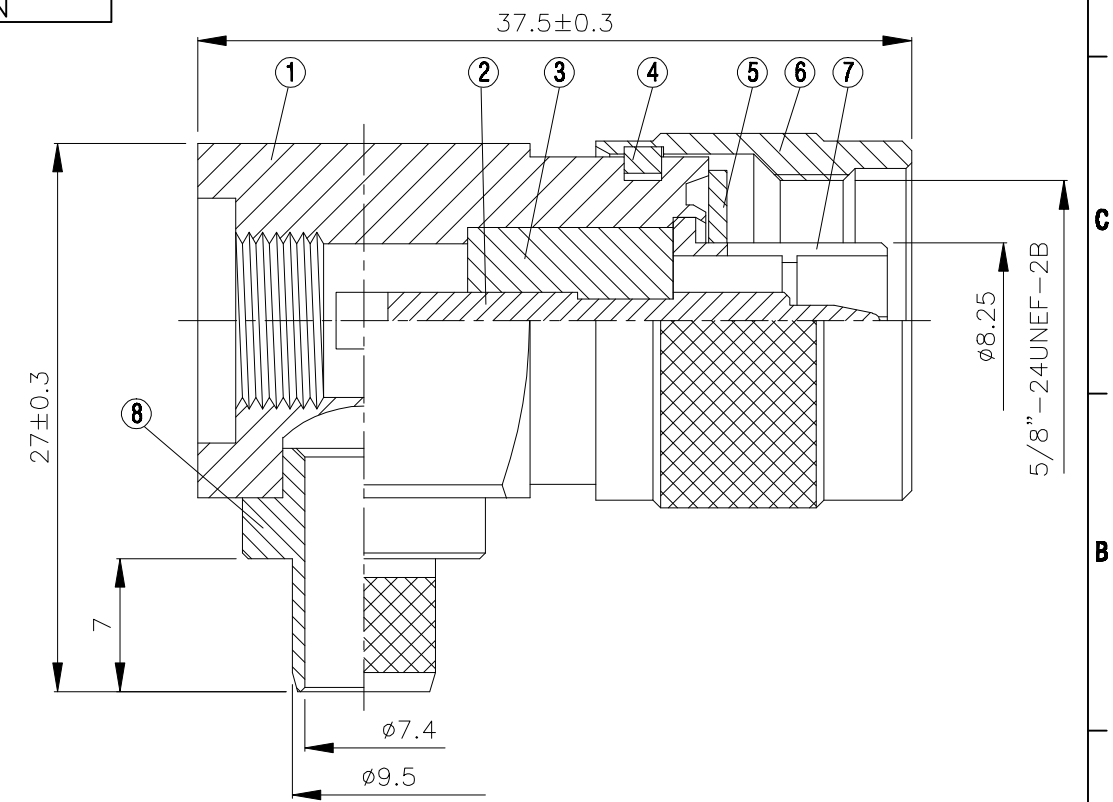
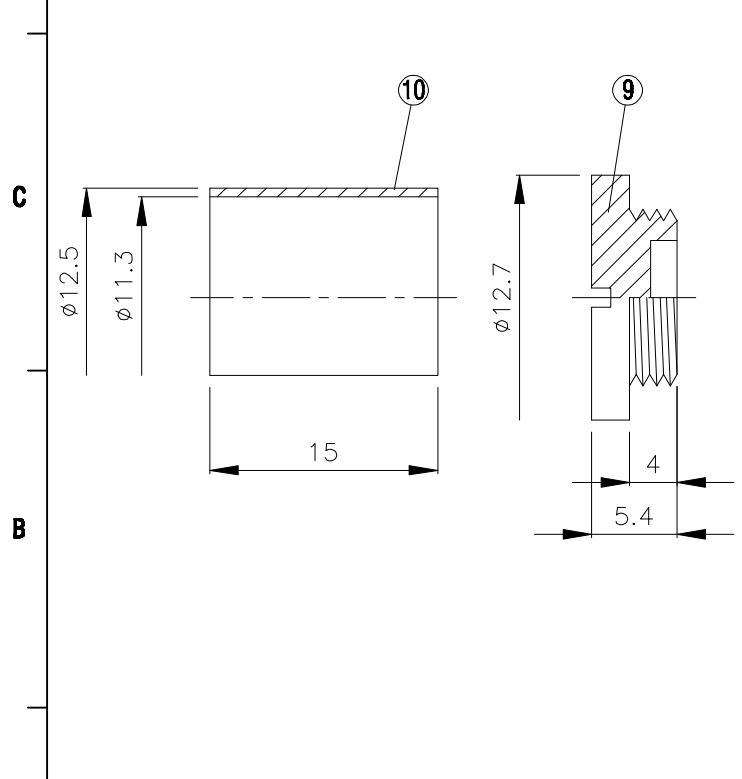
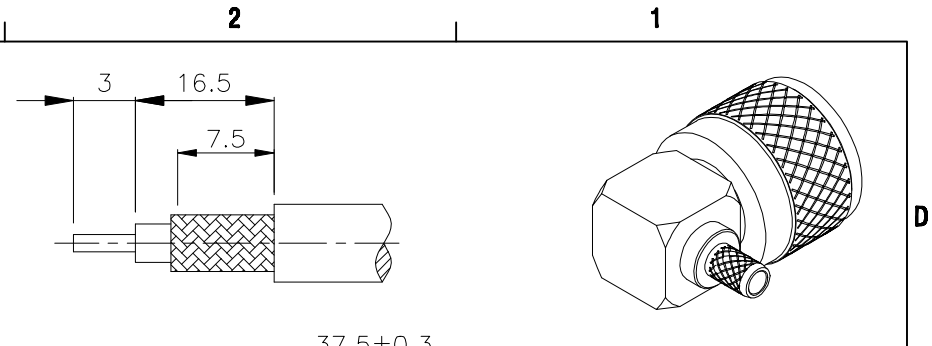
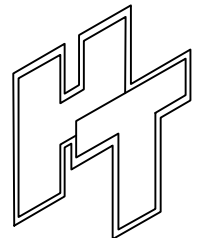


NO	DESCRIPTION	MATERIAL	Q'TY	FINISH	REMARK
1	BODY 1	BRASS	1	NICKEL	B-N0273-N
2	PIN	BRASS	1	GOLD	P-N0152-G
3	INSULATION	TEFLON	1	TEFLON	I-0057T
4	WASHER	PH.BRONZE	1	NICKEL	W-0014
5	GASKET	SI RUBBER	1	RUBBER	RU-0007
6	BODY 2	BRASS	1	NICKEL	B-N0032-N
7	BODY 3	BRASS	1	NICKEL	B-N0033-N
8	BODY 4	BRASS	1	NICKEL	B-N0265-N
9	WASHER	BRASS	1	NICKEL	W-0033-N
10	RING	BRASS	1	NICKEL	R-0010-N



	HUS-TSAN GROUP CO., LTD. P.O.BOX 40-76.TAINAN.TAIWAN,R.O.C.		DRAWN MARY CHECKED 黃巧君 Q.A. 蘇姿潔 APPROVAL 徐燦霖	DATE 96.06.04 DATE 96.06.04 DATE DATE	DIMENSIONS ARE IN MILLIMETERS UNLESS OTHERWISE SPECIFIED TOLERANCE 0.5-5=±0.2 120-315=±1 5-30= ±0.4 315-1000=±1.6 30-120=±0.6 1000-2000=±2.4				REVISION DESCRIPTION ENGINEER	
	TITLE N ANGLE MALE CRIMP FOR RG-213/U		REVISION	DATE	SCALE	4:1	SIZE	A		
	PART NO. N-35B-TGN									
	DRAWING NO. N 35B TGN									