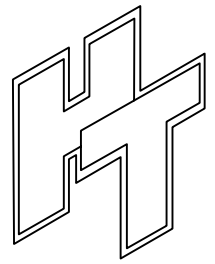
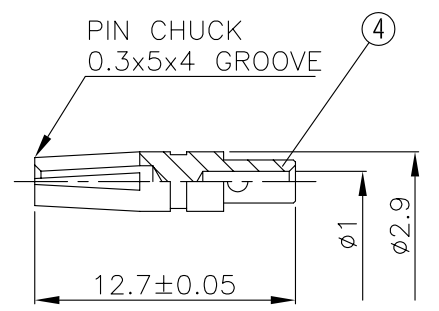
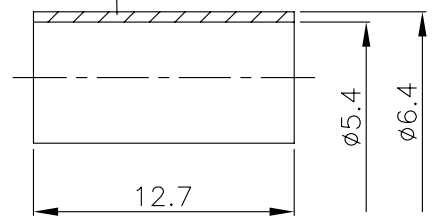
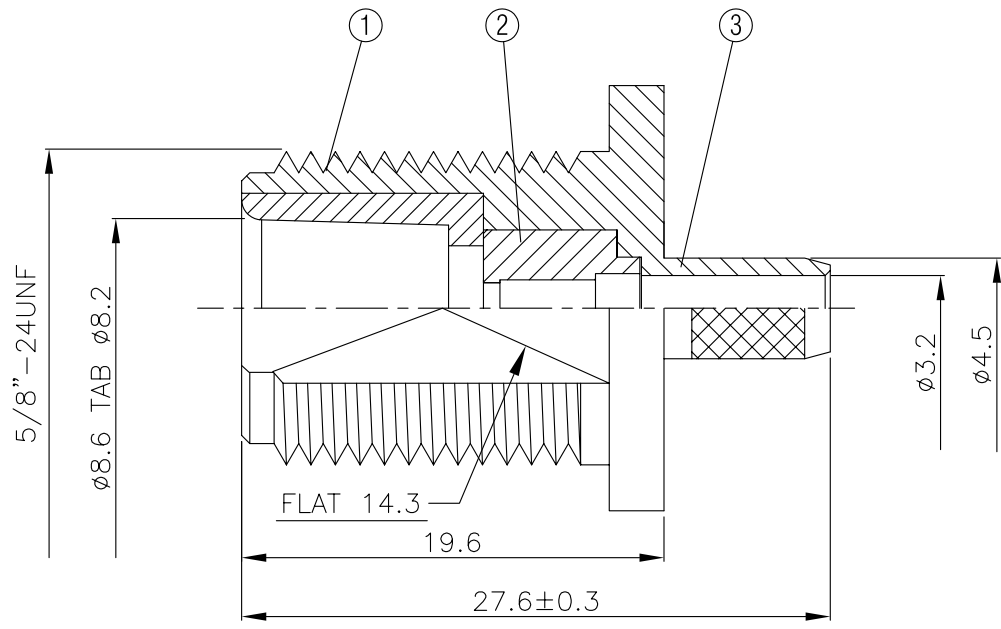
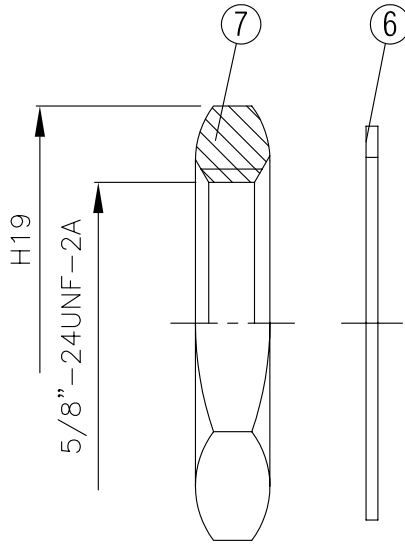
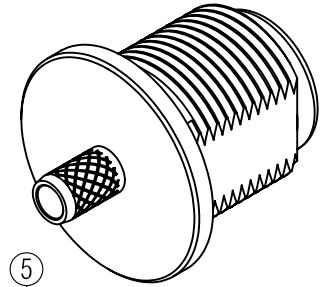


NO	DESCRIPTION	MATERIAL	Q'TY	FINISH	REMARK
1	BODY 1	BRASS	1	NICKEL	B-N0017-N
2	INSULATION	TEFLON	1	TEFLON	I-0096T
3	BODY 2	BRASS	1	NICKEL	B-N0060-N
4	PIN	BRASS	1	GOLD	P-N0013-G
5	RING	BRASS	1	NICKEL	R-0007-N
6	WASHER	BRASS	1	NICKEL	W-0005-N
7	NUT	BRASS	1	NICKEL	N-0007-N



HUS-TSAN GROUP CO., LTD.
P.O. BOX 40-76. TAINAN. TAIWAN, R.O.C.
TITLE N FEMALE CRIMP FOR RG-58U, 141A/U
PART NO. N-32F-TGN
DRAWING NO. N 32F TGN

DRAWN	MARY	DATE	96.06.04
CHECKED	蘇姿潔	DATE	
Q.A.	馮健華	DATE	
APPROVAL	徐燦霖	DATE	
REVISION		DATE	

DIMENSIONS ARE IN MILLIMETERS			
UNLESS OTHERWISE SPECIFIED TOLERANCE			
0.5-5=±0.2	120-315=±1		
5-30=±0.4	315-1000=±1.6		
30-120±0.6	1000-2000=±2.4		
SCALE	4:1	SIZE	A

REVISION	
DESCRIPTION	ENGINEER