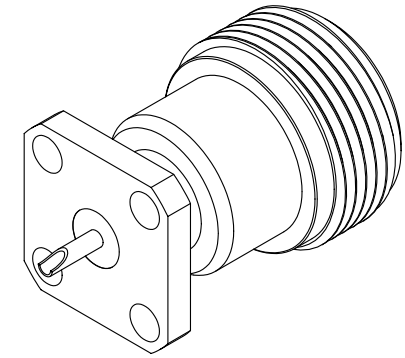


NO	DESCRIPTION	MATERIAL	Q'TY	FINISH	REMARK
1	BODY	BRASS	1	NICKEL	B-N0281-N
2	WASHER	BRASS	1	NICKEL	W-0036-N
3	INSULATION	TEFLON	1	TEFLON	I-0301T
4	PIN	BRASS	1	GOLD	P-N0168-G



PIN CHUCK
0.3x5x4 GROOVE

5/8"-24 UNEF 2A

ø8.1

ø6.9

ø3

①

②

③

④

⑤

2

20.7

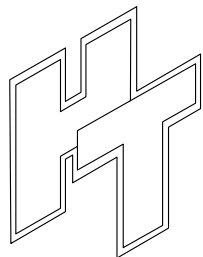
4.5

25.2±0.3

ø2.6x4

8.6

S12.7



HUS-TSAN GROUP CO., LTD.

P.O.BOX 40-76.TAINAN.TAIWAN,R.O.C.

TITLE
N PANEL FEMALE RECEPTACLE

PART NO.
N-22V6-TGN

DRAWING NO. N 22V6 TGN

DRAWN MARY DATE 96.06.04

CHECKED 蘇志欣 DATE

Q.A. 蘇姿潔 DATE

APPROVAL 徐燦霖 DATE

REVISION DATE

DIMENSIONS ARE IN MILLIMETERS

UNLESS OTHERWISE SPECIFIED
TOLERANCE

0.5-5=±0.2 120-315=±1

5-30=±0.4 315-1000=±1.6

30-120=±0.6 1000-2000=±2.4

SCALE 4:1 SIZE A

REVISION

DESCRIPTION ENGINEER