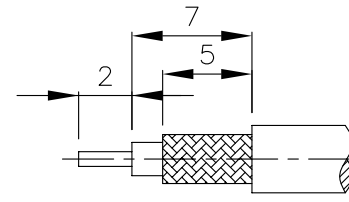
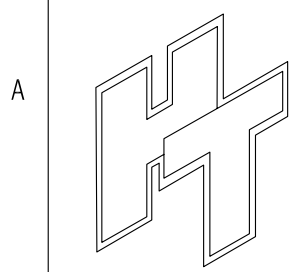
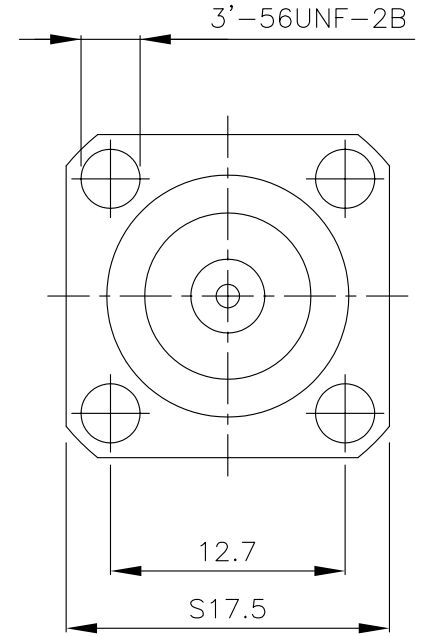
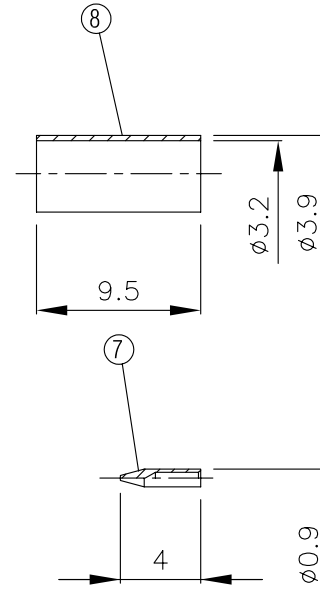
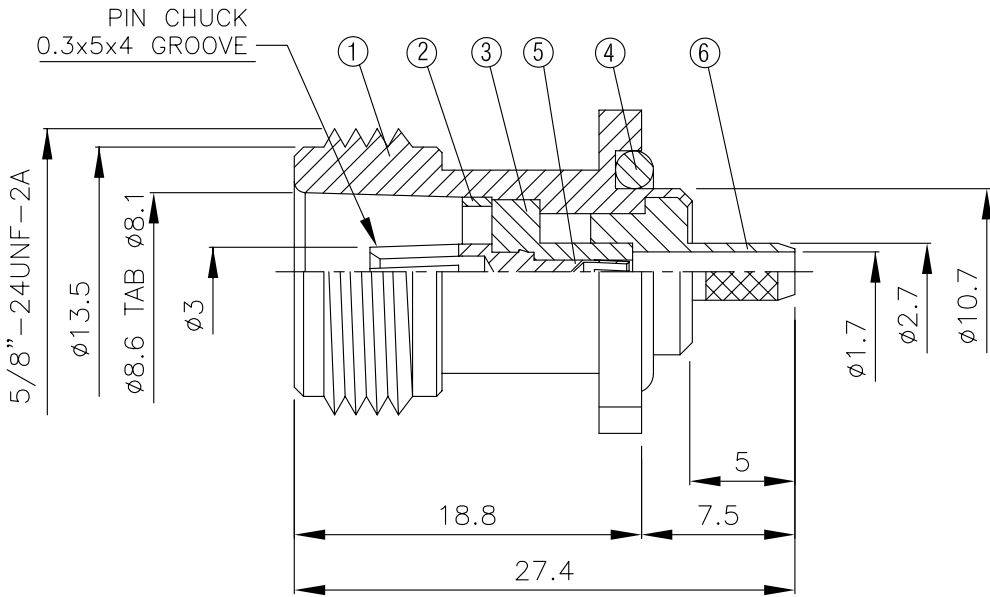
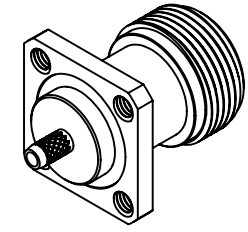


NO	DESCRIPTION	MATERIAL	Q'TY	FINISH	REMARK
1	BODY	BRASS	1	NICKEL	B-N0791-N
2	WASHER	BRASS	1	NICKEL	W-0036-N
3	INSULATION 1	TEFLON	1	TEFLON	I-0379T
4	GASKET	SI RUBBER	1	RUBBER	RU-0042
5	PIN (FEMALE)	BRASS	1	GOLD	P-N0552-G
6	BODY	BRASS	1	NICKEL	B-N0792-N
7	PIN (MALE)	BRASS	1	GOLD	P-BNC0709-G
8	RING	BRASS	1	NICKEL	R-0002-N



(Recommended Stripping Dimension)



HUS-TSAN GROUP CO., LTD.
P.O.BOX 40-76.TAINAN.TAIWAN,R.O.C.
TITLE N PANEL FEMALE RECEPTACLE
CRIMP FOR RG-174/U
PART NO. N-22LV1-TGN-1
DRAWING NO. N 22LV1 TGN-1

DRAWN MARY
CHECKED 蘇姿潔
Q.A. 馮健華
APPROVAL 徐燦霖
REVISION

DATE 96.06.06
DATE
DATE
DATE

DIMENSIONS ARE IN MILLIMETERS
UNLESS OTHERWISE SPECIFIED TOLERANCE
0.5-5=±0.2 120-315=±1
5-30= ±0.4 315-1000=±1.6
30-120±0.6 1000-2000=±2.4
SCALE 4:1 **SIZE** A

REVISION	
DESCRIPTION	ENGINEER