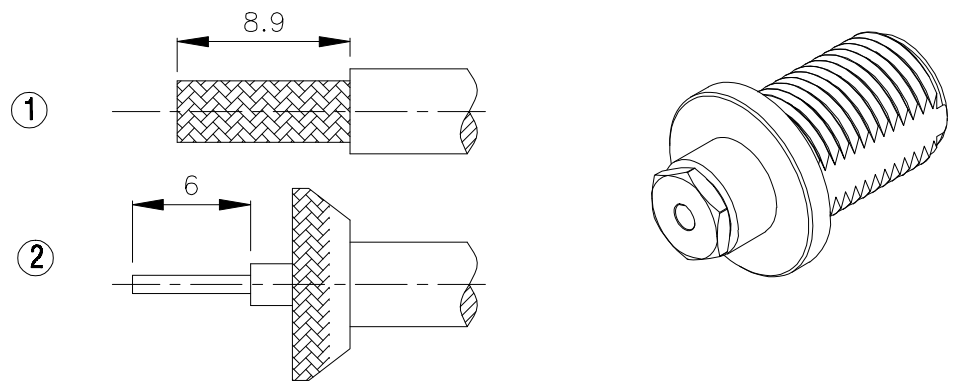
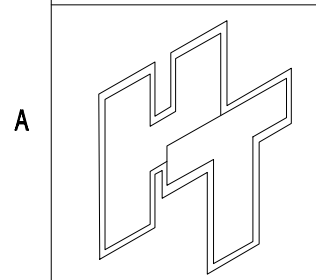
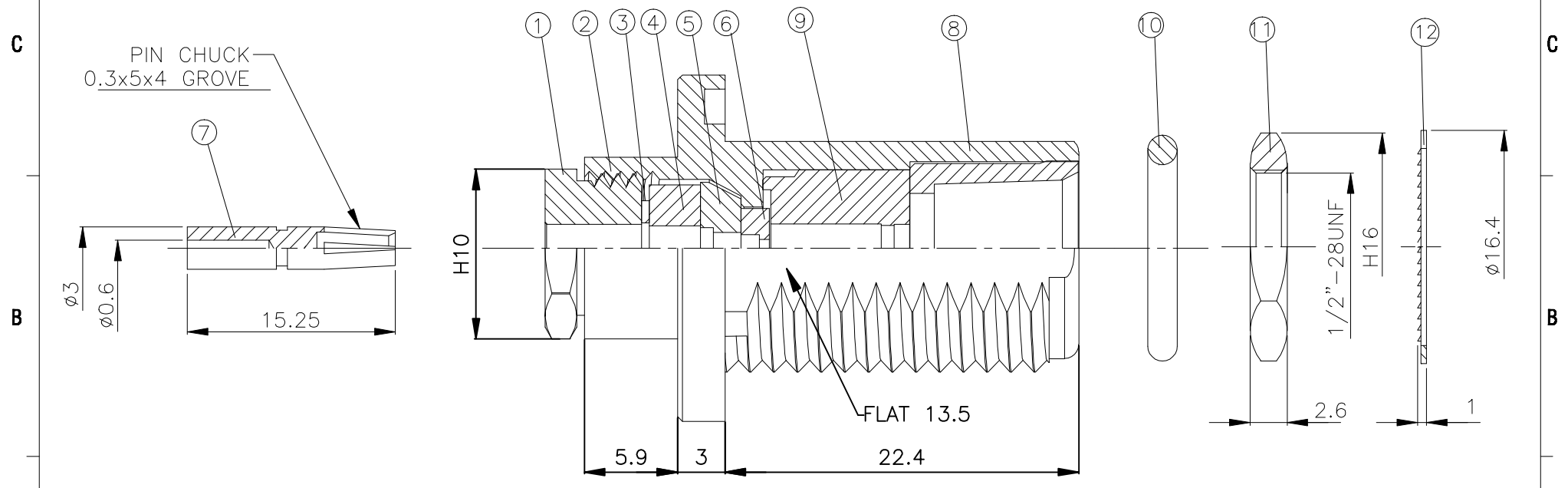


NO	DESCRIPTION	MATERIAL	Q'TY	FINISH	REMARK
1	NUT	BRASS	1	NICKEL	N-0067-N
2	WASHER	BRASS	1	NICKEL	B-N1063-N
3	RUBBER	SI RUBBER	1	RUBBER	W-0083-N
4	BODY 1	BRASS	1	NICKEL	RU-0052
5	INSULATION	TEFLON	1	NICKEL	W-0085-N
6	INSULATION	TEFLON	1	NICKEL	I-0088T
7	BODY 3	BRASS	1	NICKEL	P-N0020-G
8	BODY 2	BRASS	1	NICKEL	B-N0320-N
9	INSULATION	TEFLON	1	NICKEL	I-0117T
10	GASKET	RUBBER	1	RUBBER	RU-0009
11	NUT	BRASS	1	NICKEL	N-0007-N
12	WASHER	BRASS	1	NICKEL	W-0005-N



(Recommended Stripping Dimension)



**HUS-TSAN GROUP CO., LTD.**  
P.O. BOX 40-76.TAINAN TAIWAN,R.O.C.  
**TITLE** N FEMALE CLAMP FOR RG-174/U  
**PART NO.** N-19LV1-TGN  
**DRAWING NO.** N 19LV1 TGN

**DRAWN** 蘇姿潔 DATE 98.09.30  
**CHECKED** 蘇志欣 DATE  
**Q.A.** 林妙樺 DATE  
**APPROVAL** 徐燦霖 DATE  
**REVISION** DATE

**DIMENSIONS ARE IN MILLIMETERS**  
**UNLESS OTHERWISE SPECIFIED TOLERANCES**  
0.5-5=±0.2 120-315=±1  
5-30=±0.4 315-1000=±1.6  
30-120=±0.6 1000-2000=±2.4  
**SCALE** 5:1 **SIZE** A

REVISION	
DESCRIPTION	ENGINEER