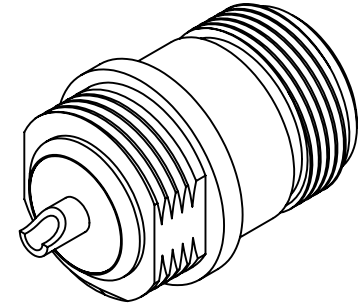
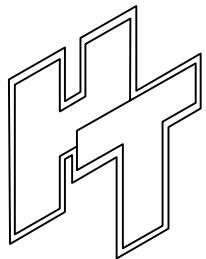
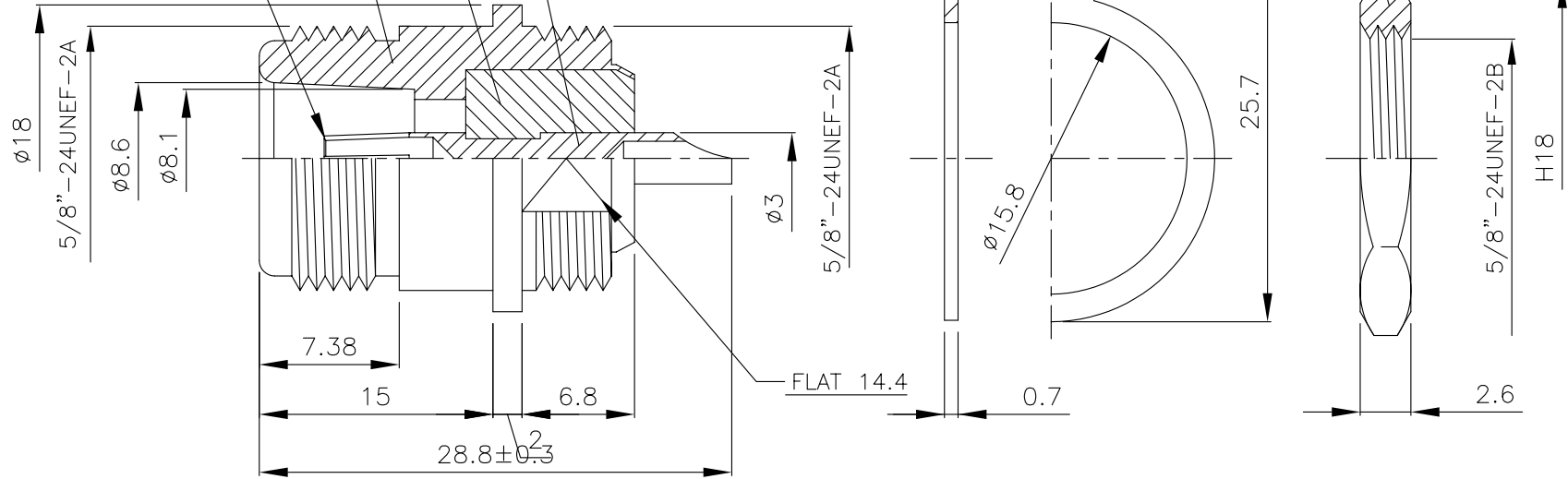


NO	DESCRIPTION	MATERIAL	Q'TY	FINISH	REMARK
1	BODY	BRASS	1	NICKEL	B-N0268-N
2	INSULATION	TEFLON	1	TEFLON	I-0123T
3	PIN	BRASS	1	GOLD	P-N0155-G
4	WASHER	BRASS	1	NICKEL	W-0034-N
5	NUT	BRASS	1	NICKEL	N-0009-N



PIN CHUCK
0.3x5x4 GROOVE



HUS-TSAN GROUP CO., LTD.

P.O. BOX 40-76. TAINAN. TAIWAN, R.O.C.

TITLE
N FEMALE RECEPTACLE

PART NO.
N-05-TGN

DRAWING NO.
N 05 TGN

DRAWN MARY DATE 96.06.04

CHECKED 蘇志欣 DATE

Q.A. 蘇姿潔 DATE

APPROVAL 徐燦霖 DATE

REVISION DATE

DIMENSIONS ARE IN MILLIMETERS

UNLESS OTHERWISE SPECIFIED
TOLERANCE

0.5-5 = ± 0.2 120-315 = ± 1

5-30 = ± 0.4 315-1000 = ± 1.6

30-120 ± 0.6 1000-2000 = ± 2.4

SCALE 4:1 SIZE A

REVISION

DESCRIPTION ENGINEER

D

C

B

A

D

C

B

A

4

3

2

1