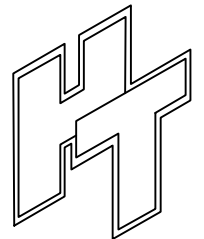
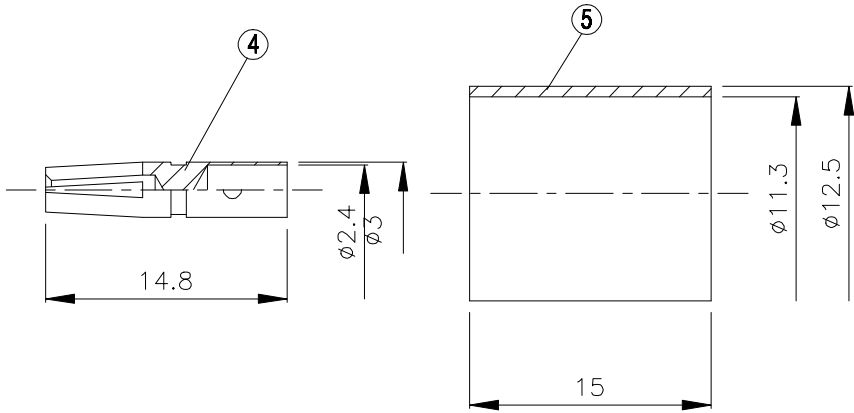
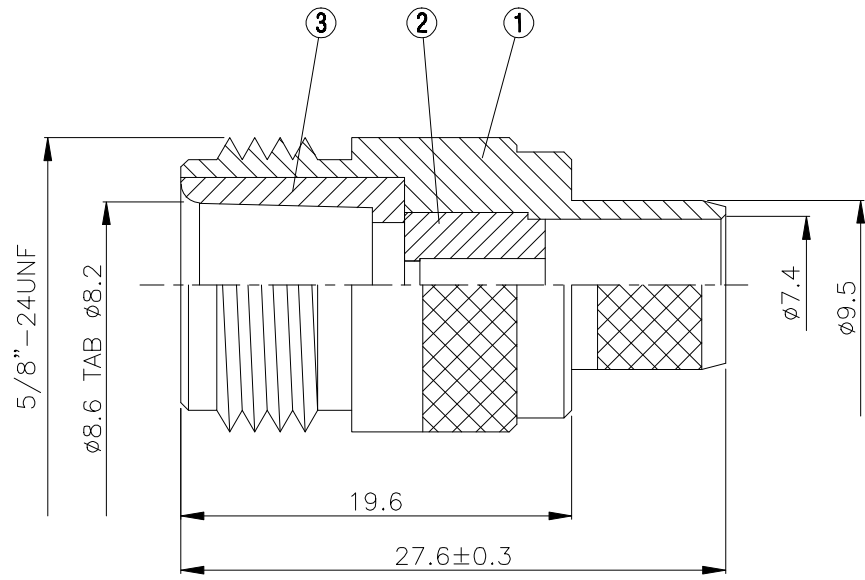
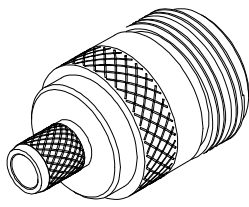
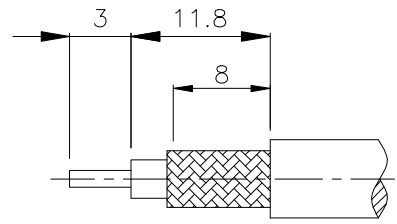


NO	DESCRIPTION	MATERIAL	Q'TY	FINISH	REMARK
1	BODY 1	BRASS	1	NICKEL	B-N0020-N
2	INSULATION	TEFLON	1	TEFLON	I-0125T
3	BODY 2	BRASS	1	NICKEL	B-N0320-N
4	PIN	BRASS	1	GOLD	P-N0055-G
5	RING	BRASS	NICKEL	R-0010-N	



HUS-TSAN GROUP CO., LTD.
P.O.BOX 40-76.TAINAN.TAIWAN,R.O.C.
TITLE N FEMALE CRIMP FOR RG213U
PART NO. N-04B-TGN
DRAWING NO. N 04B TGN

DRAWN MARY **DATE** 91.09.25
CHECKED 黃巧君 **DATE** 96.01.26
Q.A. 蘇姿潔 **DATE**
APPROVAL 徐燦霖 **DATE**
REVISION **DATE**

DIMENSIONS ARE IN MILLIMETERS
UNLESS OTHERWISE SPECIFIED TOLERANCE
0.5-5=±0.2 120-315=±1
5-30= ±0.4 315-1000=±1.6
30-120±0.6 1000-2000=±2.4
SCALE 4:1 **SIZE** A

REVISION	
DESCRIPTION	ENGINEER