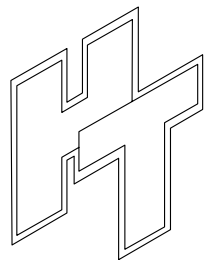
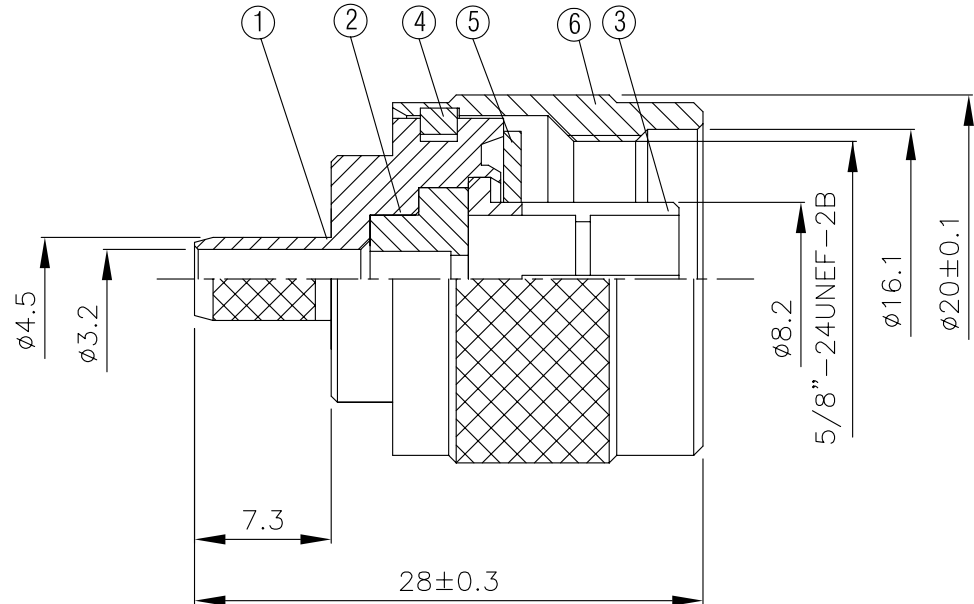
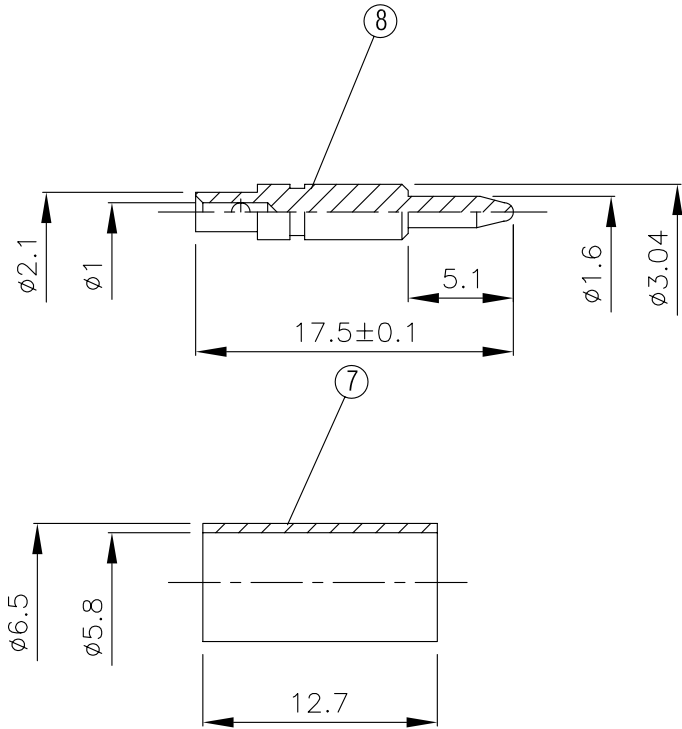
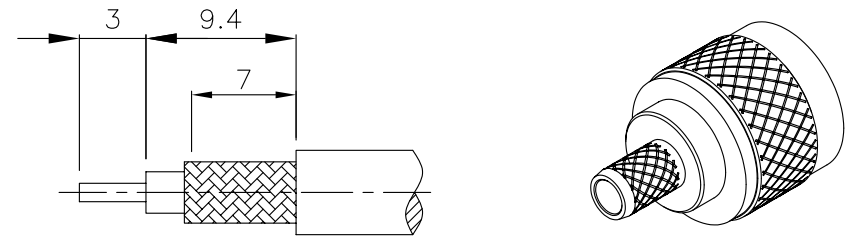


NO	DESCRIPTION	MATERIAL	Q'TY	FINISH	REMARK
1	BODY 1	BRASS	1	NICKEL	B-N0629-N
2	INSULATION	TEFLON	1	TEFLON	I-0296T
3	BODY 2	BRASS	1	NICKEL	B-N0033-N
4	WARSHER	BRASS	1	NICKEL	W-0014
5	GASKET	RUBBER	1	RUBBER	RU-0007
6	BODY 2	BRASS	1	NICKEL	B-N0032-N
7	RING	BRASS	1	NICKEL	R-0007-N
8	PIN	BRASS	1	GOLD	P-N0157-G



HUS-TSAN GROUP CO., LTD.
P.O.BOX 40-76.TAINAN.TAIWAN,R.O.C.
TITLE N MALE CRIMP FOR RG-58/U
PART NO. N-03F-TGN
DRAWING NO. N 03F TGN

DRAWN	MARY	DATE	92.11.06
CHECKED	蘇志欣	DATE	97.05.13
Q.A.	蘇姿潔	DATE	
APPROVAL	徐燦霖	DATE	
REVISION		DATE	

DIMENSIONS ARE IN MILLIMETERS			
UNLESS OTHERWISE SPECIFIED TOLERANCE			
0.5-5=±0.2	120-315=±1		
5-30= ±0.4	315-1000=±1.6		
30-120±0.6	1000-2000=±2.4		
SCALE	4:1	SIZE	A

REVISION	
DESCRIPTION	ENGINEER