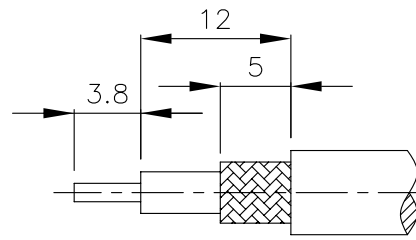
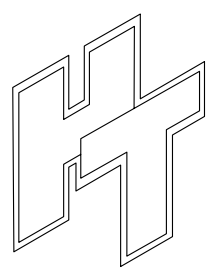
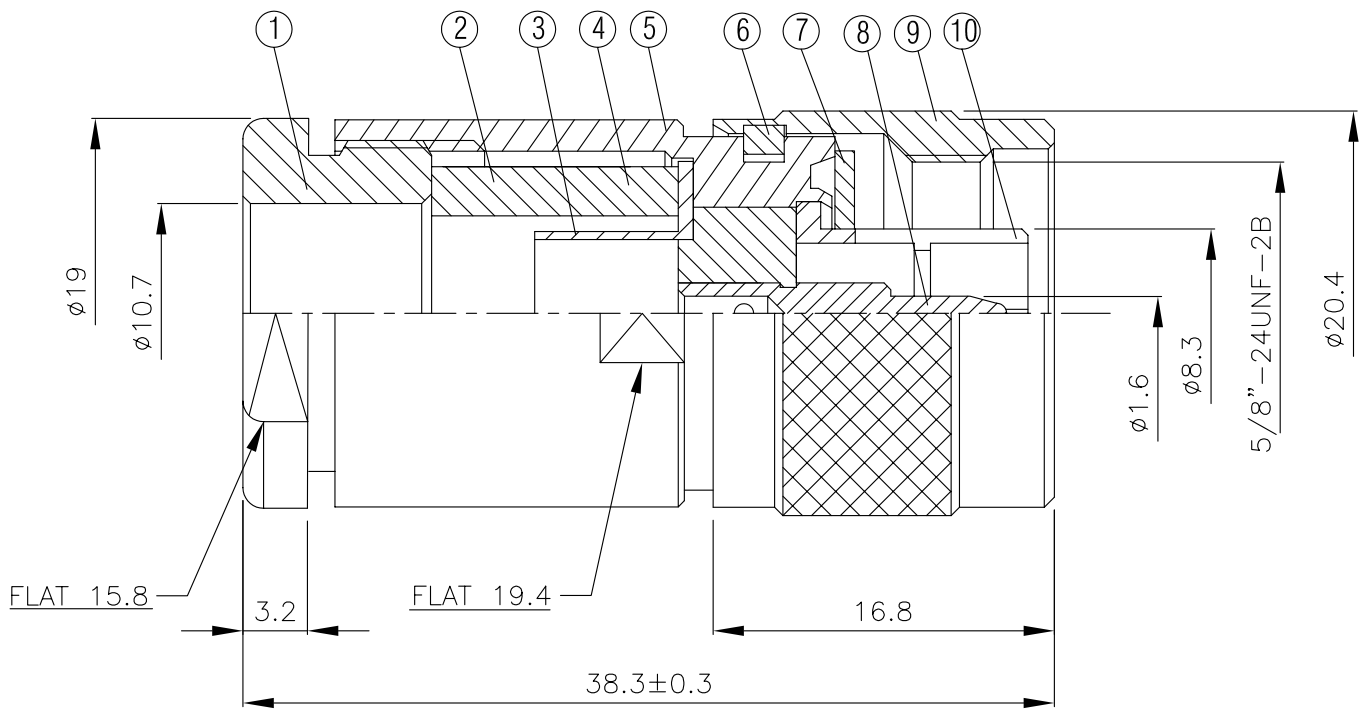
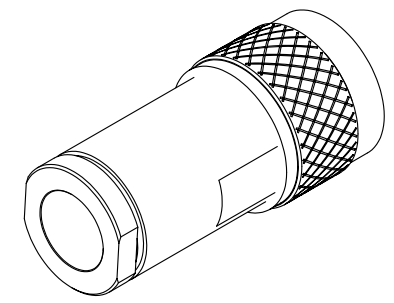


| NO | DESCRIPTION | MATERIAL  | Q'TY | FINISH | REMARK    |
|----|-------------|-----------|------|--------|-----------|
| 1  | NUT         | BRASS     | 1    | NICKEL | N-0019-N  |
| 2  | RUBBER      | SI RUBBER | 1    | RUBBER | RU-0018   |
| 3  | BODY 1      | BRASS     | 1    | NICKEL | B-N0228-N |
| 4  | INSULATION  | TEFLON    | 1    | TEFLON | I-0043T   |
| 5  | BODY 2      | BRASS     | 1    | NICKEL | B-N0227-N |
| 6  | WASHER      | PH.BRONZE | 1    | NICKEL | W-0014-N  |
| 7  | RUBBER      | SI RUBBER | 1    | RUBBER | RU-0007   |
| 8  | PIN         | BRASS     | 1    | GOLD   | P-N0142-G |
| 9  | BODY 3      | BRASS     | 1    | NICKEL | B-N0032-N |
| 10 | BODY 4      | BRASS     | 1    | NICKEL | B-N0033-N |



(Recommended Stripping Dimension)



**HUS-TSAN GROUP CO., LTD.**  
P.O.BOX 40-76.TAINAN.TAIWAN,R.O.C.  
**TITLE** N MALE CLAMP FOR RG 213/U  
**PART NO.** N-01B-TGN  
**DRAWING NO.** N 01B TGN

|                     |                      |
|---------------------|----------------------|
| <b>DRAWN</b> MARY   | <b>DATE</b> 96.02.15 |
| <b>CHECKED</b> 黃巧君  | <b>DATE</b>          |
| <b>Q.A.</b> 蘇姿潔     | <b>DATE</b>          |
| <b>APPROVAL</b> 徐燦霖 | <b>DATE</b>          |
| <b>REVISION</b>     | <b>DATE</b>          |

|                                      |                   |  |  |
|--------------------------------------|-------------------|--|--|
| <b>DIMENSIONS ARE IN MILLIMETERS</b> |                   |  |  |
| UNLESS OTHERWISE SPECIFIED TOLERANCE |                   |  |  |
| 0.5-5 = ± 0.2                        | 120-315 = ± 1     |  |  |
| 5-30 = ± 0.4                         | 315-1000 = ± 1.6  |  |  |
| 30-120 ± 0.6                         | 1000-2000 = ± 2.4 |  |  |
| <b>SCALE</b> 4:1                     | <b>SIZE</b> A     |  |  |

|                    |                 |
|--------------------|-----------------|
| <b>REVISION</b>    |                 |
| <b>DESCRIPTION</b> | <b>ENGINEER</b> |
|                    |                 |
|                    |                 |