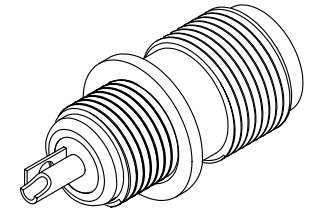


NO	DESCRIPTION	MATERIAL	Q'TY	FINISH	REMARK
1	PIN	BRASS	1	GOLD	P-TNC0076-G
2	INSULATION	TEFLON	1	TEFLON	I-0001T
3	BODY	BRASS	1	NICKEL	B-TNC0201-N
4	WASHER	BRASS	1	NICKEL	W-0003-N
5	WASHER	BRASS	1	NICKEL	W-0021-N
6	NUT	BRASS	1	NICKEL	N-0010-N



D

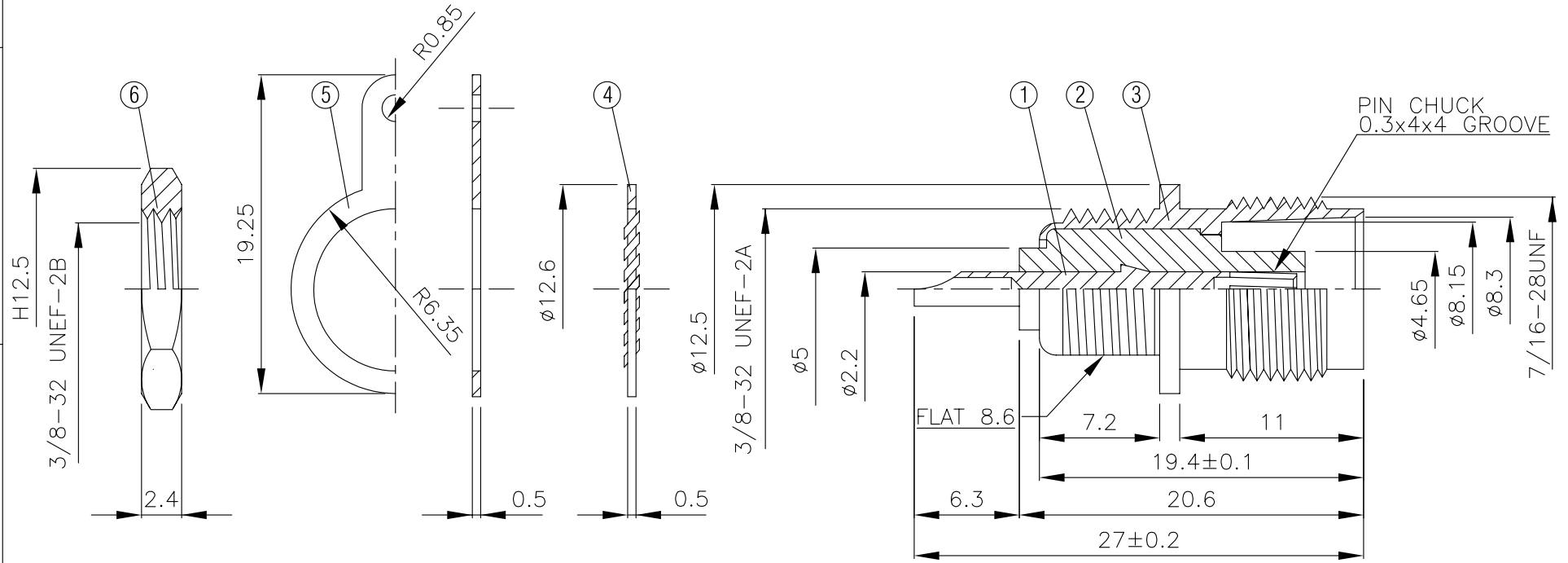
D

C

C

B

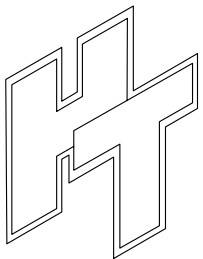
B



PIN CHUCK  
0.3x4x4 GROOVE

A

A



**HUS-TSAN GROUP CO., LTD.**  
P.O.BOX 40-76.TAINAN.TAIWAN,R.O.C.  
TITLE TNC BULKHEAD FEMALE RECEPTACLE  
PART NO. TNC-11-TGN  
DRAWING NO. TNC 11 TGN

DRAWN MARY DATE 96.07.11  
CHECKED 蘇志欣 DATE  
Q.A. 蘇姿潔 DATE  
APPROVAL 徐燦霖 DATE  
REVISION DATE

DIMENSIONS ARE IN MILLIMETERS  
UNLESS OTHERWISE SPECIFIED TOLERANCE  
0.5-5=±0.2 120-315=±1  
5-30= ±0.4 315-1000=±1.6  
30-120±0.6 1000-2000=±2.4  
SCALE 4:1 SIZE A

REVISION  
DESCRIPTION ENGINEER

4

3

2

1