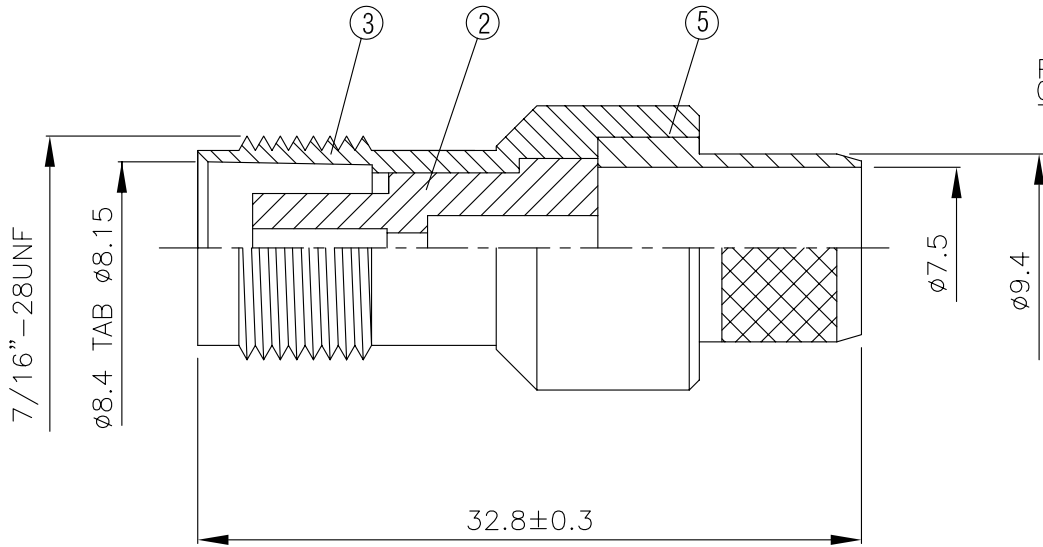
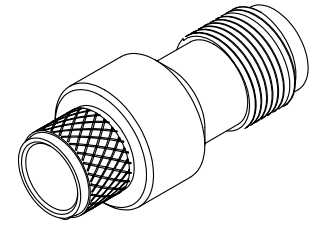
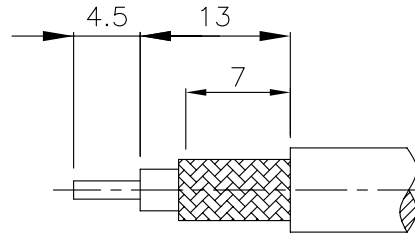
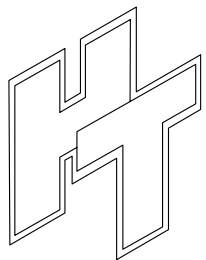
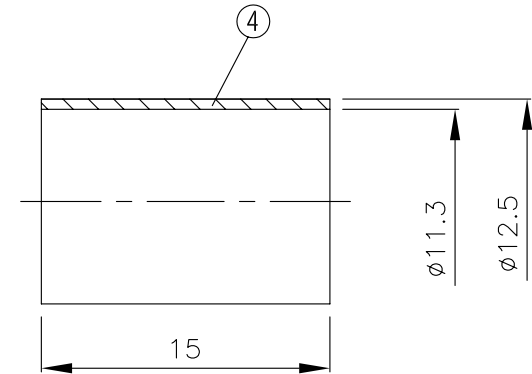
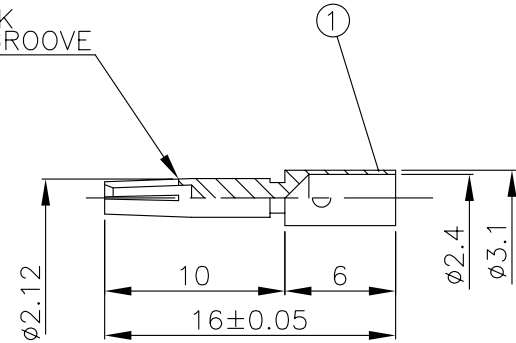


NO	DESCRIPTION	MATERIAL	Q'TY	FINISH	REMARK
1	PIN	BRASS	1	GOLD	P-TNC0110-G
2	INSULATION	TEFLON	1	TEFLON	I-0021T
3	BODY 1	BRASS	1	NICKEL	B-TNC0185-N
4	RING	BRASS	1	NICKEL	R-0010-N
5	BODY 2	BRASS	1	NICKEL	B-N0050-N



PIN CHUCK
0.3x4x4 GROOVE



HUS-TSAN GROUP CO., LTD.

P.O.BOX 40-76.TAINAN.TAIWAN,R.O.C.

TITLE TNC FEMALE CRIMP FOR
RG 213/U

PART NO. TNC-08B-TGN

DRAWING NO. TNC 08B TGN

DRAWN MARY

DATE 88.2.11

CHECKED 黃巧君

DATE 96.02.07

Q.A. 蘇姿潔

DATE

APPROVAL 徐燦霖

DATE

REVISION

DATE

DIMENSIONS ARE IN MILLIMETERS

UNLESS OTHERWISE SPECIFIED
TOLERANCE

0.5-5=±0.2 120-315=±1

5-30= ±0.4 315-1000=±1.6

30-120±0.6 1000-2000=±2.4

SCALE 4:1 SIZE A

REVISION

DESCRIPTION ENGINEER

A

A

4

3

2

1