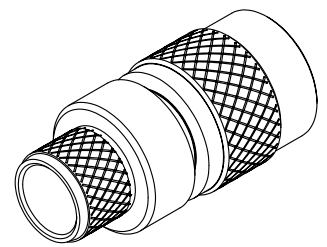
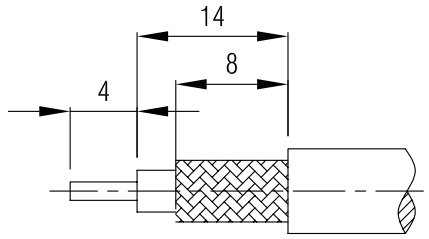


NO	DESCRIPTION	MATERIAL	Q'TY	FINISH	REMARK
1	BODY 1	BRASS	1	NICKEL	B-TNC0083-N
2	RUBBER	SI RUBBER	1	RUBBER	RU-0001
3	WASHER 1	BRASS	1	NICKEL	W-0026-N
4	WASHER 2	BRASS	1	NICKEL	W-0027-N
5	WASHER 3	BRASS	1	NICKEL	W-0025-N
6	INSULATION	TEFLON	1	TEFLON	I-0020T
7	BODY 2	BRASS	1	NICKEL	B-TNC0165-N
8	BODY 3	BRASS	1	NICKEL	B-N0050-N
9	PIN	BRASS	1	GOLD	P-TNC0109-G
10	RING	BRASS	NICKEL	R-0010-N	



D

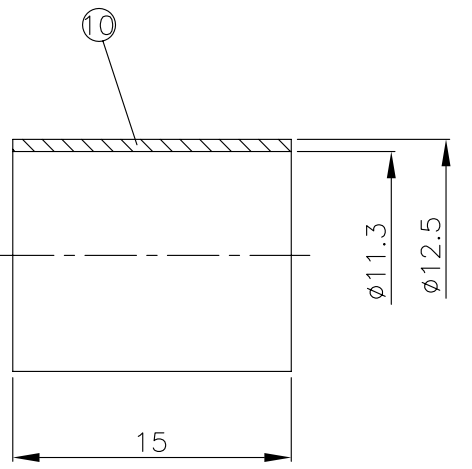
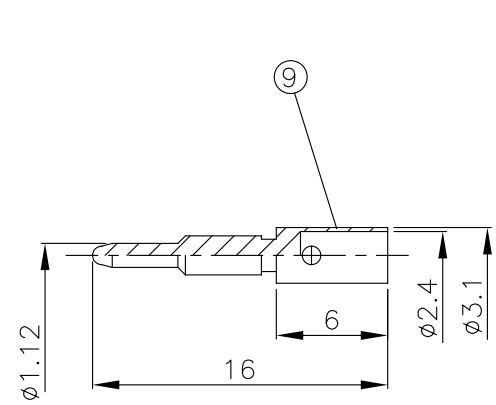
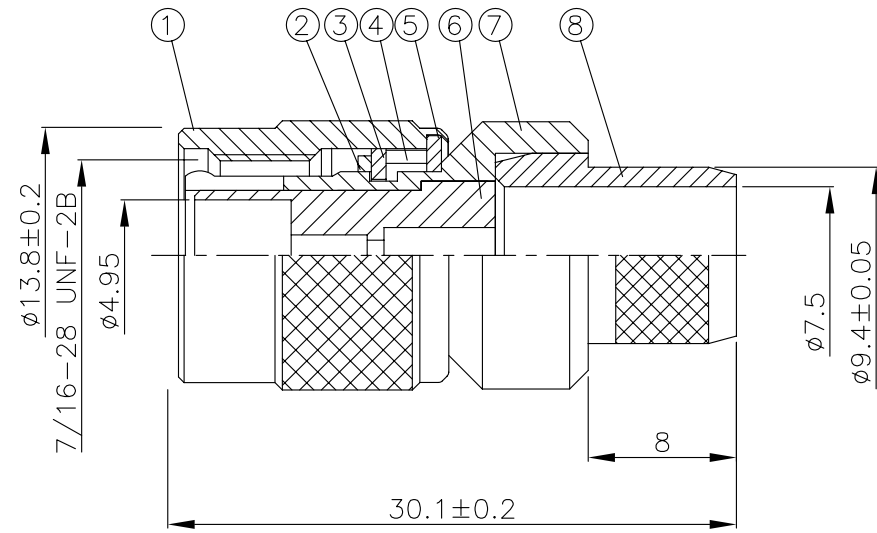
D

C

C

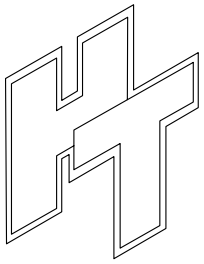
B

B



A

A



HUS-TSAN GROUP CO., LTD
 P.O. BOX 40-76.TAINAN TAIWAN,R.O.C.
 TITLE **TNC MALE CRIMP FOR RG-213/U,214/U**
 PART NO. **TNC-05B-TGN**
 DRAWING NO. **TNC 05B TGN**

DRAWN MARY
 CHECKED **黃巧君**
 Q.A. **蘇姿潔**
 APPROVAL **徐燦霖**
 REVISION

DATE 95.11.13
 DATE
 DATE
 DATE
 DATE

DIMENSIONS ARE IN MILLMETERS
 UNLESS OTHERWISE SPECIFIED TOLERANCES
 0.5-5=±0.2 120-315=±1
 5-30=±0.4 315-1000=±1.6
 30-120=±0.6 1000-2000=±2.4
 SCALE 4:1 SIZE A

REVISION	
DESCRIPTION	ENGINEER

4

3

2

1