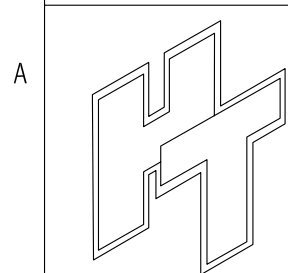
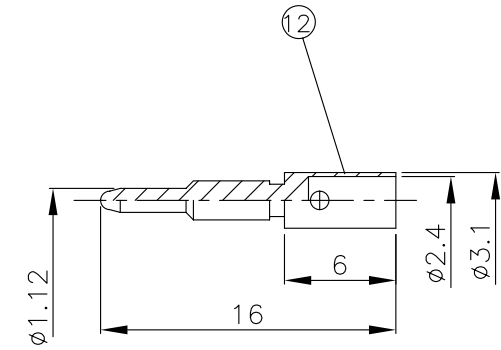
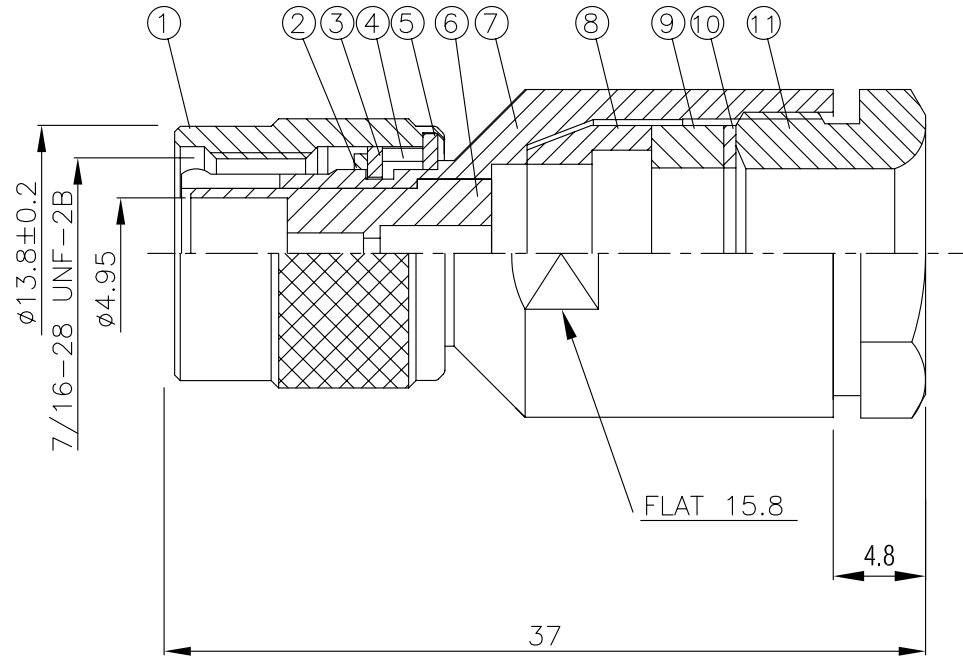
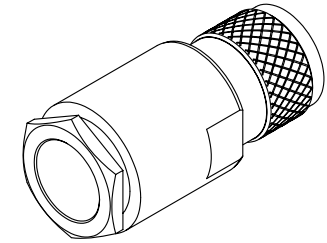


NO	DESCRIPTION	MATERIAL	Q'TY	FINISH
1	BODY 1	BRASS	1	NICKEL
2	RUBBER	SI RUBBER	1	RUBBER
3	WASHER 1	BRASS	1	NICKEL
4	WASHER 2	BRASS	1	NICKEL
5	WASHER 3	BRASS	1	NICKEL
6	INSULATION	TEFLON	1	TEFLON
7	BODY 2	BRASS	1	NICKEL
8	BODY 3	BRASS	1	NICKEL
9	RUBBER	SI RUBBER	1	RUBBER
10	WASHER	BRASS	1	NICKEL
11	NUT	BRASS	1	NICKEL
12	PIN	BRASS	1	GOLD



HUS-TSAN GROUP CO., LTD

P.O. BOX 40-76.TAINAN TAIWAN,R.O.C.

TITLE TNC MALE CLAMP FOR
RG-213/U

PART NO. TNC-01B-TGN

DRAWING NO. TNC 01B TGN

DRAWN MARY DATE 90.11.19

CHECKED 黃巧君 DATE 90.11.19

Q.A. 蘇姿潔 DATE

APPROVAL 徐燦霖 DATE

REVISION DATE

DIMENSIONS ARE IN MILLMETERS

UNLESS OTHERWISE SPECIFIED
TOLERANCES

0.5-5 = ± 0.2 120-315 = ± 1
5-30 = ± 0.4 315-1000 = ± 1.6
30-120 = ± 0.6 1000-2000 = ± 2.4

SCALE 4:1 SIZE A

REVISION

DESCRIPTION ENGINEER