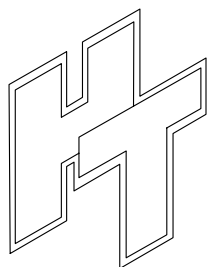
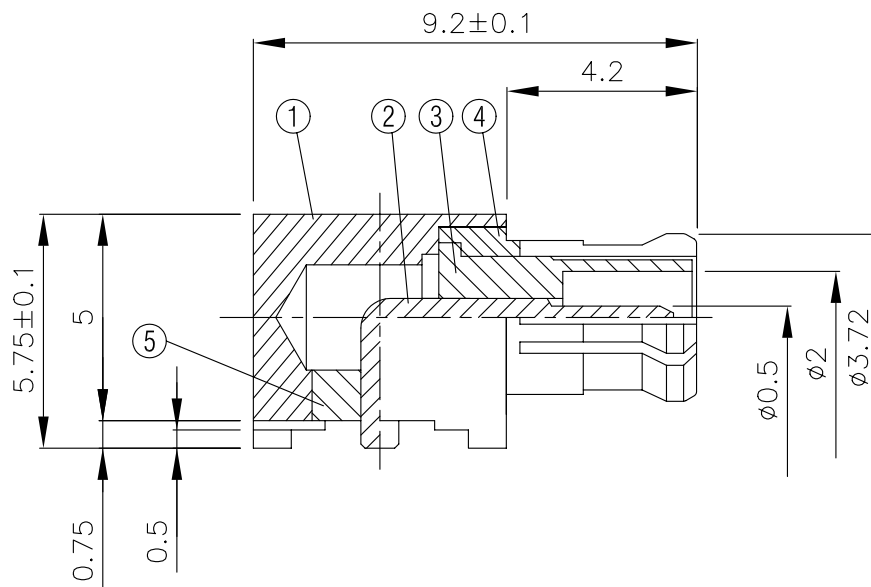
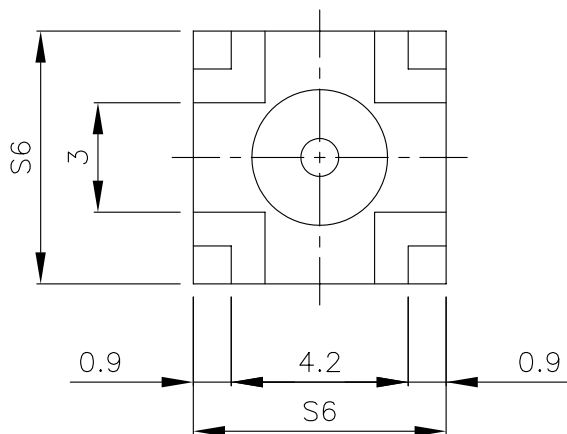
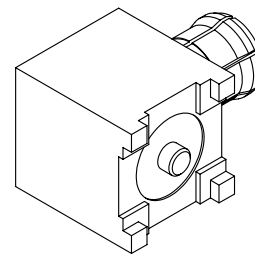
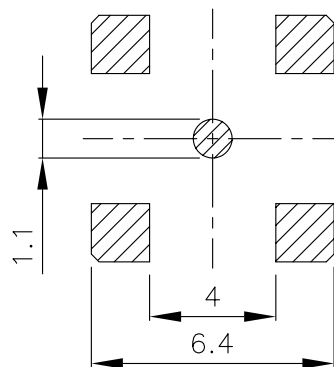


NO	DESCRIPTION	MATERIAL	Q'TY	FINISH	REMARK
1	BODY 1	BRASS	1	NICKEL	B-MCX0316-N
2	PIN	BRASS	1	GOLD	P-MCX0194-G
3	INSULATION 1	TEFLON	1	TEFLON	I-0079T
4	BODY 2	BE CU	1	NICKEL	B-MCX0288-N
5	INSULATION 2	TEFLON	1	TEFLON	I-0071T



HUS-TSAN GROUP CO., LTD.

P.O. BOX 40-76. TAINAN. TAIWAN, R.O.C.

TITLE MCX ANGLE MALE PCB MOUNT

PART NO. MCX-18V5-TGN

DRAWING NO. MCX 18V5 TGN

DRAWN MARY

DATE 96.04.30

CHECKED 黃巧君

DATE

Q.A. 蘇姿潔

DATE

APPROVAL 徐燦霖

DATE

REVISION

DATE

DIMENSIONS ARE IN MILLIMETERS

UNLESS OTHERWISE SPECIFIED TOLERANCE

0.5-5=±0.2 120-315=±1

5-30=±0.4 315-1000=±1.6

30-120±0.6 1000-2000=±2.4

SCALE 4:1 SIZE A

REVISION

DESCRIPTION ENGINEER