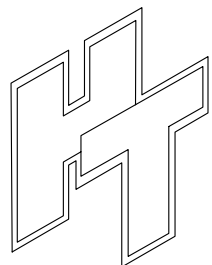
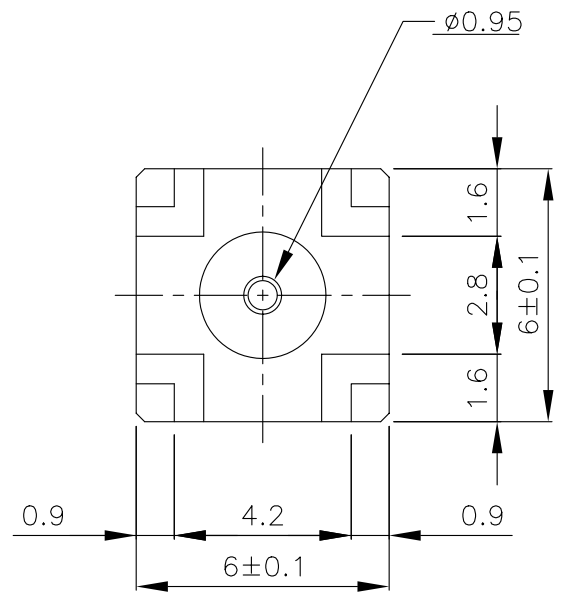
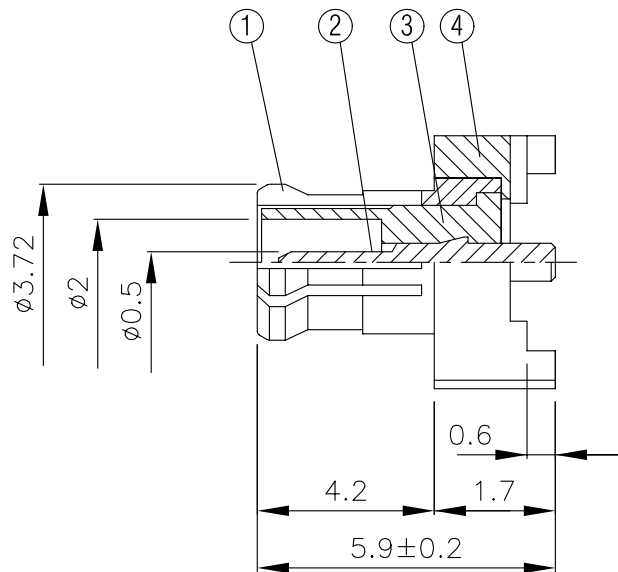
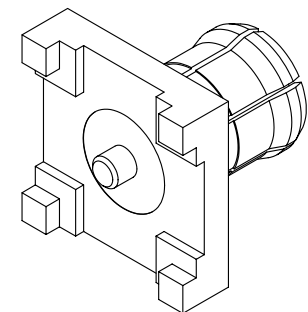
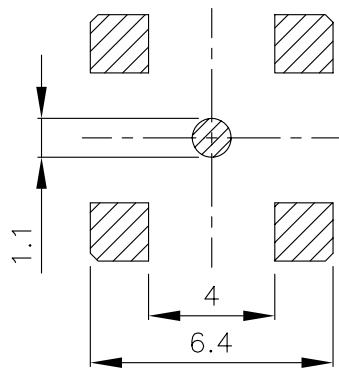


NO	DESCRIPTION	MATERIAL	Q'TY	FINISH	REMARK
1	BODY 1	BE CU	1	GOLD	B-MCX0288-G
2	PIN	BRASS	1	GOLD	P-MCX0246-G
3	INSULATION 1	TEFLON	1	TEFLON	I-0079T
4	BODY 2	BRASS	1	GOLD	B-MCX0381-G



HUS-TSAN GROUP CO., LTD.

P.O. BOX 40-76. TAINAN. TAIWAN, R.O.C.

TITLE MCX MALE PC MOUNT

PART NO. MCX-15V4-TGG

DRAWING NO. MCX 15V4 TGG

DRAWN	MARY	DATE	96.04.30
CHECKED	黃巧君	DATE	
Q.A.	蘇姿潔	DATE	
APPROVAL	徐燦霖	DATE	
REVISION		DATE	

DIMENSIONS ARE IN MILLIMETERS

UNLESS OTHERWISE SPECIFIED TOLERANCE			
0.5-5=±0.2	120-315=±1		
5-30=±0.4	315-1000=±1.6		
30-120±0.6	1000-2000=±2.4		

SCALE 4:1 SIZE A

REVISION

DESCRIPTION	ENGINEER