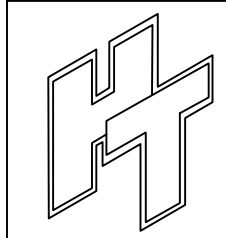
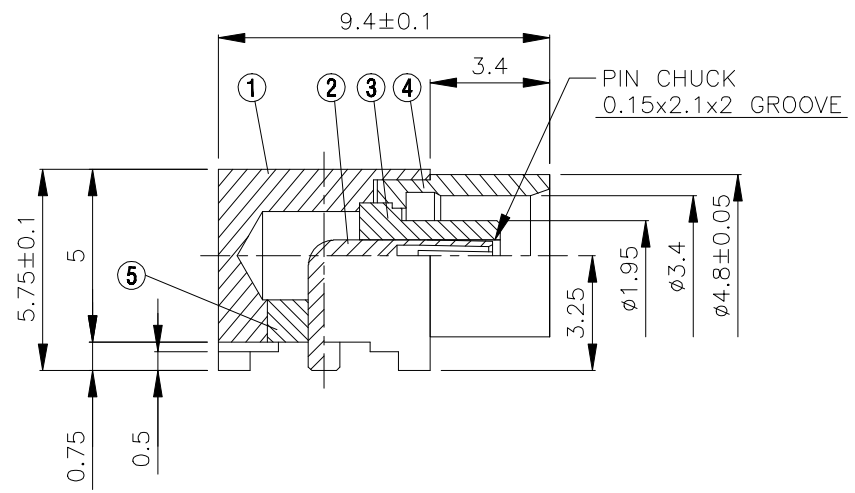
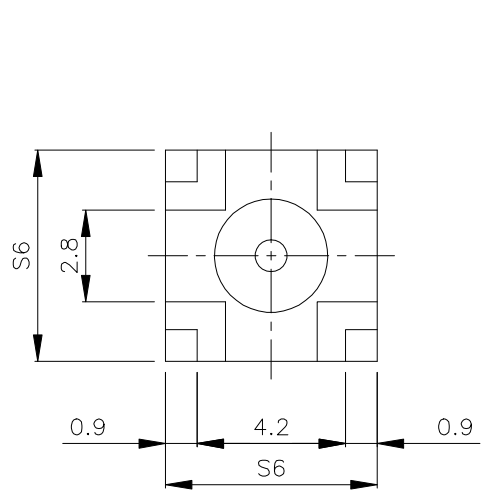
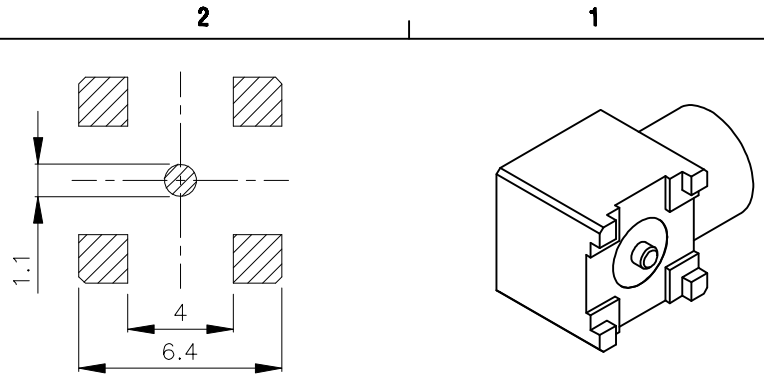


NO	DESCRIPTION	MATERIAL	Q'TY	FINISH	REMARK
1	BODY 1	BRASS	1	GOLD	B-MCX0316-G
2	PIN	BE CU	1	GOLD	P-MCX0191-G
3	INSULATION 1	TEFLON	1	TEFLON	I-0005T
4	BODY 2	BRASS	1	GOLD	B-MCX0283-G
5	INSULATION 2	TEFLON	1	TEFLON	I-0071T



HUS-TSAN GROUP CO., LTD.
P.O. BOX 40-76.TAINAN.TAIWAN,R.O.C.
TITLE
MCX ANGLE FEMALE PCB MOUNT
PART NO.
MCX-11V5-TGG
DRAWING NO.
MCX 11V5 TGG

DRAWN MARY	DATE 91.05.14
CHECKED 蘇姿潔	DATE
Q.A. 馮健華	DATE
APPROVAL 徐煥霖	DATE
REVISION	DATE

DIMENSIONS ARE IN MILLIMETERS			
UNLESS OTHERWISE SPECIFIED TOLERANCE			
0.5-5=±0.2	120-315=±1		
5-30=±0.4	315-1000=±1.6		
30-120=±0.6	1000-2000=±2.4		
SCALE 4:1	SIZE A		

REVISION	
DESCRIPTION	ENGINEER

D
C
B
A

D
C
B
A

4 3 2 1