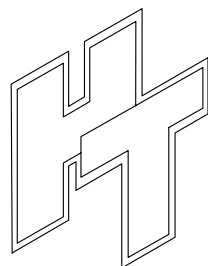
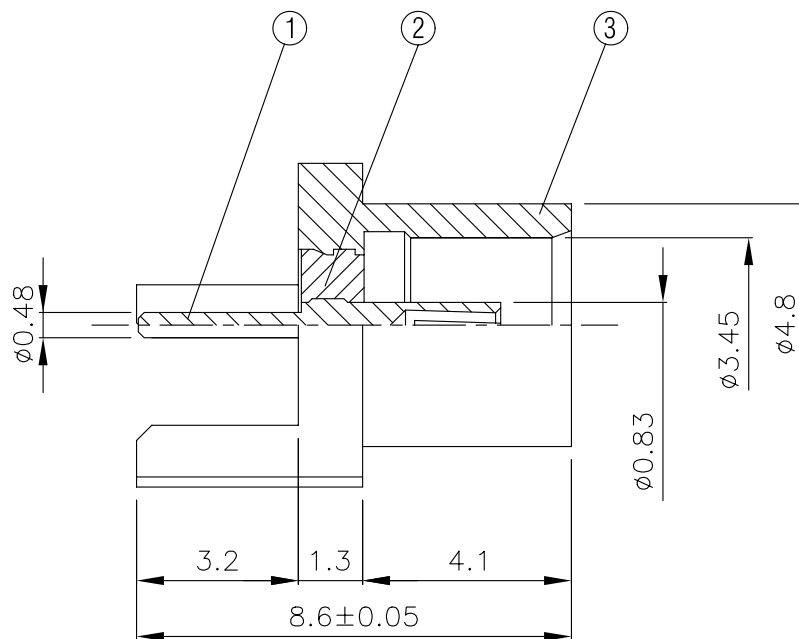
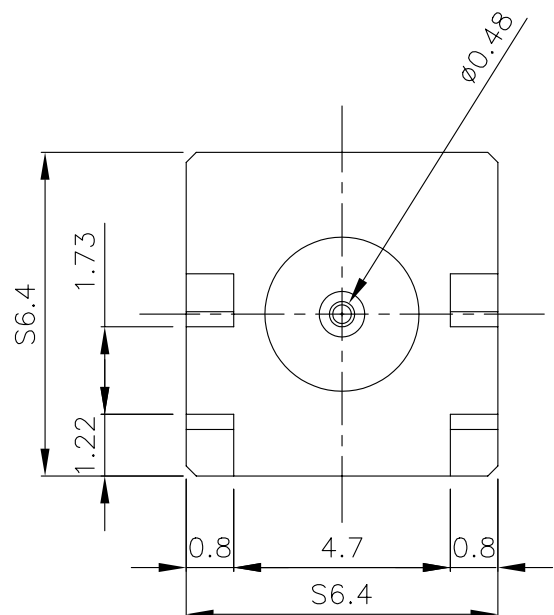
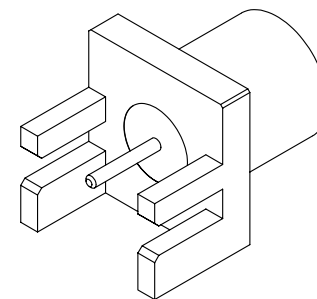


NO	DESCRIPTION	MATERIAL	Q'TY	FINISH	REMARK
1	PIN	BE CU	1	GOLD	P-MCX0825-G
2	INSULATION	TEFLON	1	TEFLON	I-0493T
3	BODY	BRASS	1	GOLD	B-MCX0128-G



HUS-TSAN GROUP CO., LTD.

P.O. BOX 40-76. TAINAN. TAIWAN, R.O.C.

TITLE MCX JACK END LAUNCH  
75 OHM

PART NO. MCX-05V6-TGG-75

DRAWING NO. MCX 05V6 TGG-75

DRAWN MARY DATE 96.03.26

CHECKED 黃巧君 DATE

Q.A. 蘇姿潔 DATE

APPROVAL 徐燦霖 DATE

REVISION DATE

DIMENSIONS ARE IN MILLIMETERS

UNLESS OTHERWISE SPECIFIED  
TOLERANCE

0.5-5=±0.2	120-315=±1
5-30=±0.4	315-1000=±1.6
30-120±0.6	1000-2000=±2.4

SCALE 4:1 SIZE A

REVISION

DESCRIPTION	ENGINEER