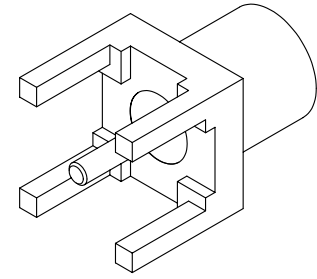
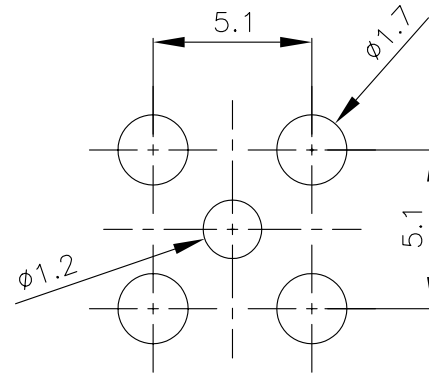
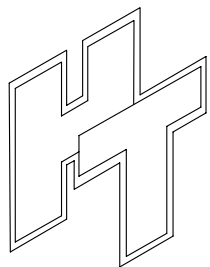
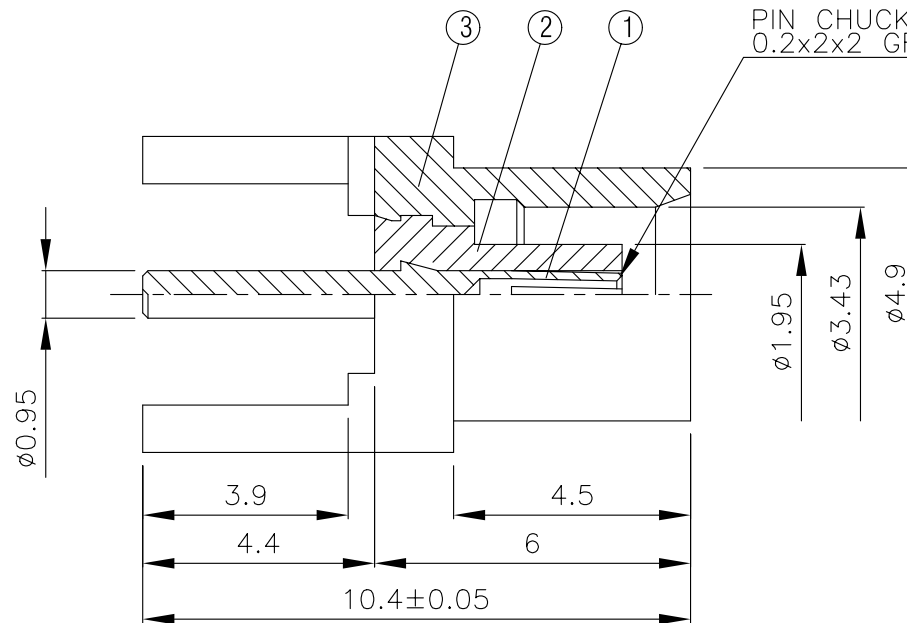
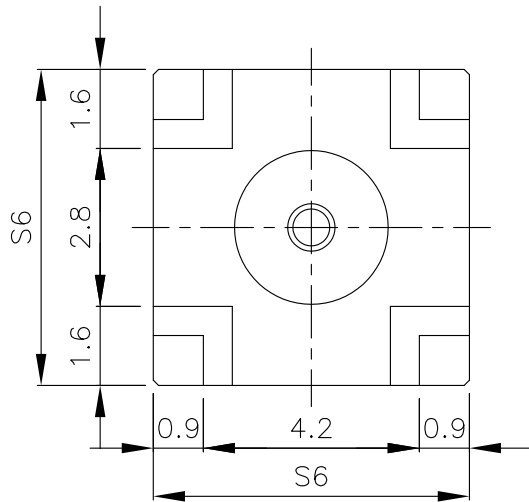


NO	DESCRIPTION	MATERIAL	Q'TY	FINISH	REMARK
1	PIN	BE CU	1	GOLD	P-MCX0087-G
2	INSULATION	TEFLON	1	TEFLON	I-0008T
3	BODY	BRASS	1	GOLD	B-MCX0136-G



PC MONUTING

PIN CHUCK
0.2x2x2 GROOVE



HUS-TSAN GROUP CO., LTD.

P.O. BOX 40-76. TAINAN. TAIWAN, R.O.C.

TITLE MCX JACK PCB MOUNT

PART NO. MCX-05-TGG

DRAWING NO. MCX 05 TGG

DRAWN MARY DATE 96.05.04

CHECKED 黃巧君 DATE

Q.A. 蘇姿潔 DATE

APPROVAL 徐燦霖 DATE

REVISION DATE

DIMENSIONS ARE IN MILLIMETERS

UNLESS OTHERWISE SPECIFIED TOLERANCE

0.5-5 = ±0.2 120-315 = ±1

5-30 = ±0.4 315-1000 = ±1.6

30-120 ±0.6 1000-2000 = ±2.4

SCALE 4:1 SIZE A

REVISION

DESCRIPTION ENGINEER