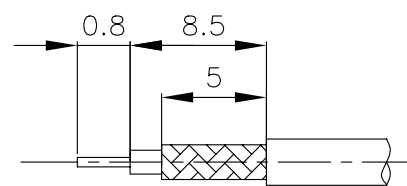
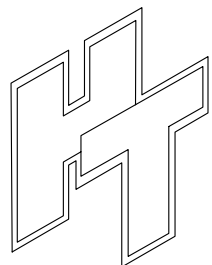
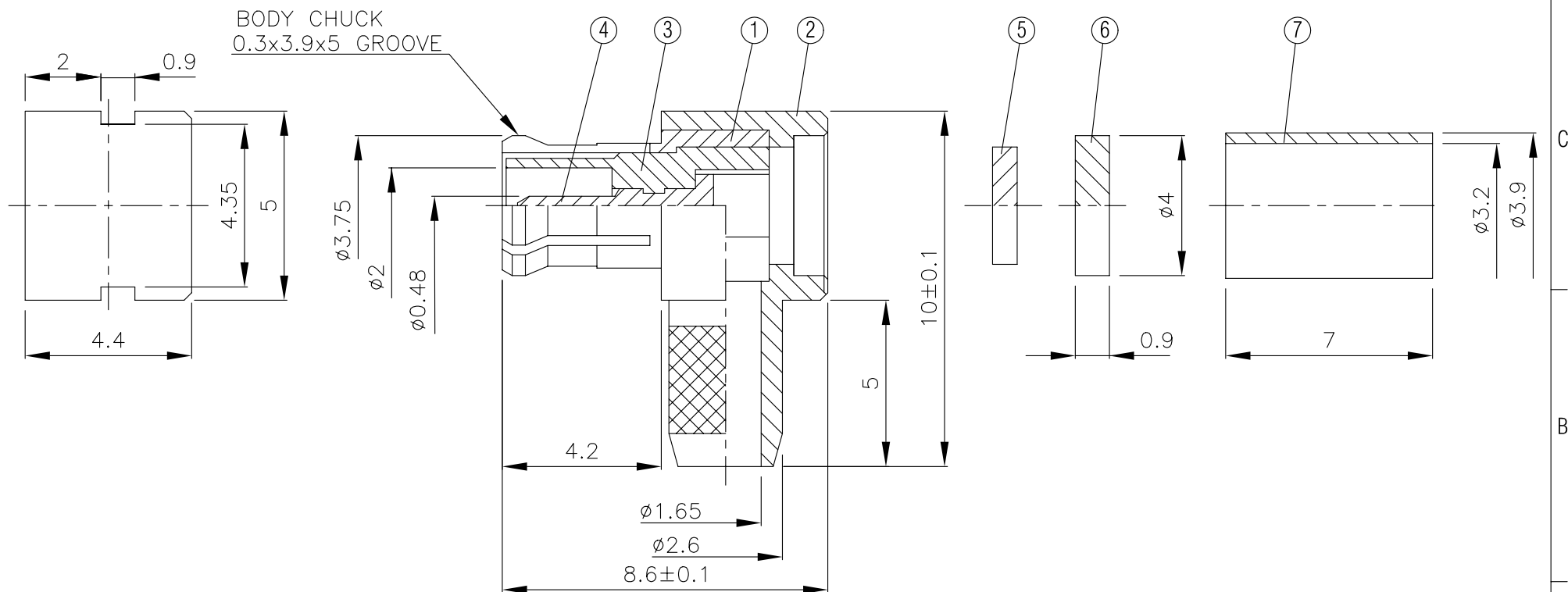
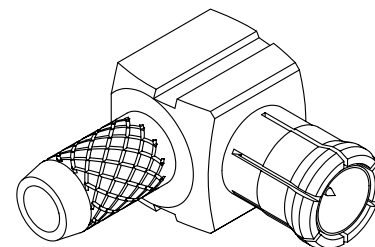


NO	DESCRIPTION	MATERIAL	QTY	FINISH	REMARK
1	BODY 1	BE CU	1	GOLD	B-MCX0129-G
2	BODY 2	BRASS	1	GOLD	B-MCX0130-G
3	INSULATION 1	TEFLON	1	TEFLON	I-0102T
4	PIN	BRASS	1	GOLD	P-MCX0018-G
5	INSULATION 2	TEFLON	1	TEFLON	I-0113T
6	WASHER	BRASS	1	GOLD	W-0017-G
7	RING	BRASS	1	GOLD	R-0001-G



(Recommended Stripping Dimension)



HUS-TSAN GROUP CO., LTD.

P.O. BOX 40-76. TAINAN, TAIWAN, R.O.C.

TITLE MCX MALE ANGLE  
CRIMP FOR RG174U, 316U

PART NO. MCX-04LV1-TGG

DRAWING NO. MCX 04LV1 TGG

DRAWN MARY DATE 90.10.16

CHECKED 黃巧君 DATE 96.01.09

Q.A. 蘇姿潔 DATE

APPROVAL 徐燦霖 DATE

REVISION DATE

DIMENSIONS ARE IN MILLIMETERS

UNLESS OTHERWISE SPECIFIED  
TOLERANCE

0.5-5=±0.2	120-315=±1
5-30=±0.4	315-1000=±1.6
30-120±0.6	1000-2000=±2.4

SCALE 4:1 SIZE A

REVISION

DESCRIPTION	ENGINEER