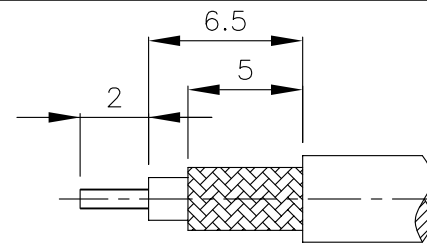
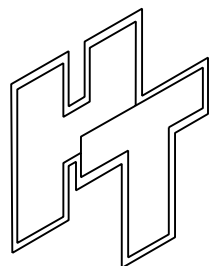
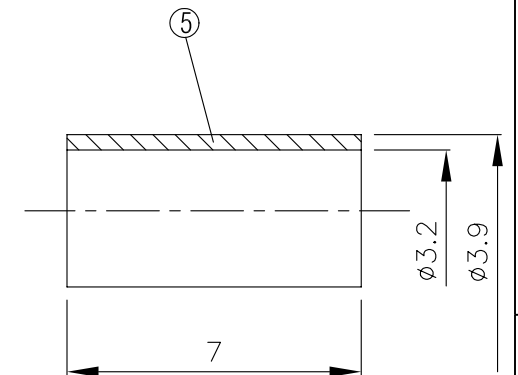
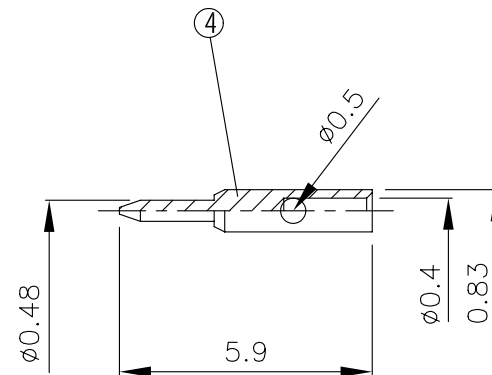
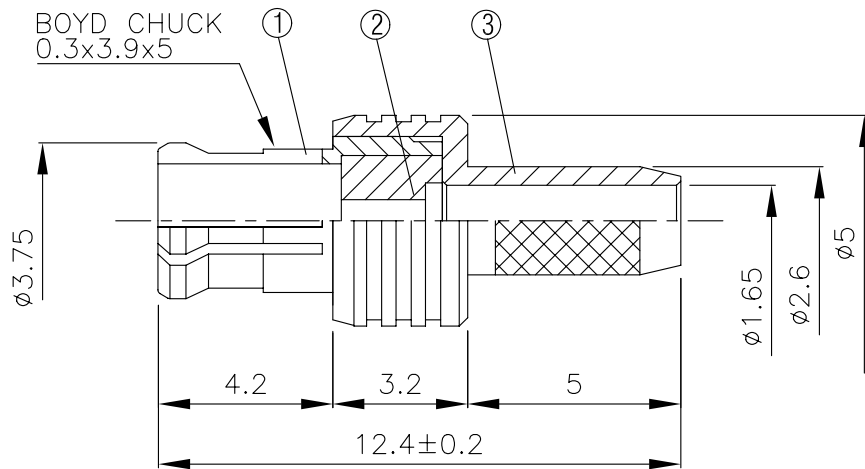
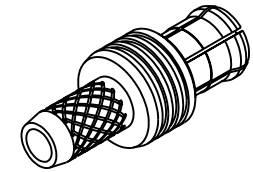


NO	DESCRIPTION	MATERIAL	Q'TY	FINISH	REMARK
1	BODY 1	BE CU	1	GOLD	B-MCX0028-G
2	INSULATION	TEFLON	1	TEFLON	I-0490T
3	BODY 2	BRASS	1	GOLD	B-MCX0010-G
4	PIN	BRASS	1	GOLD	P-MCX0702-G
5	RING	BRASS	GOLD	R-0001-G	



(Recommended Stripping Dimension)



HUS-TSAN GROUP CO., LTD.

P.O. BOX 40-76. TAINAN. TAIWAN, R.O.C.

TITLE MCX MALE CRIMP FOR RG179U

PART NO. MCX-01N-TGG

DRAWING NO. MCX 01N TGG

DRAWN MARY

DATE 96.04.19

CHECKED 沈佳憶

DATE 96.04.19

Q.A. 蘇姿潔

DATE

APPROVAL 徐燦霖

DATE

REVISION

DATE

DIMENSIONS ARE IN MILLIMETERS

UNLESS OTHERWISE SPECIFIED TOLERANCE

0.5-5=±0.2 120-315=±1

5-30=±0.4 315-1000=±1.6

30-120±0.6 1000-2000=±2.4

SCALE 4:1 SIZE A

REVISION

DESCRIPTION ENGINEER