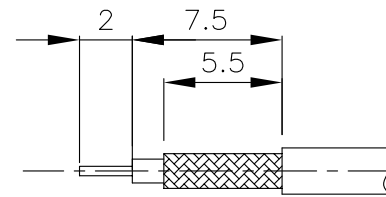
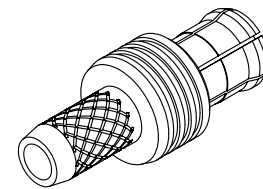


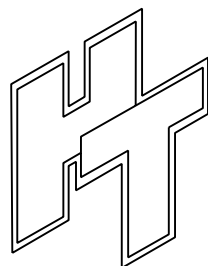
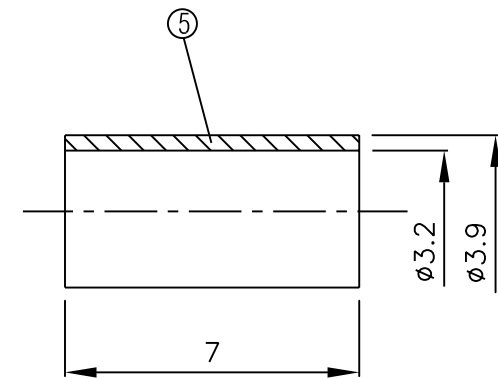
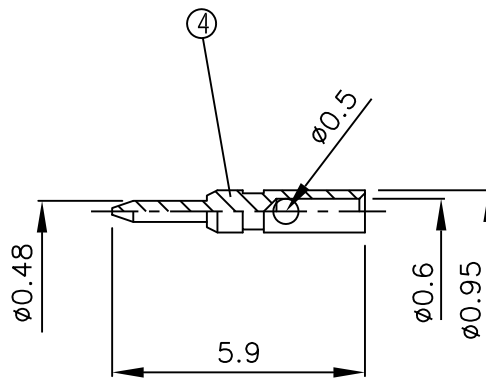
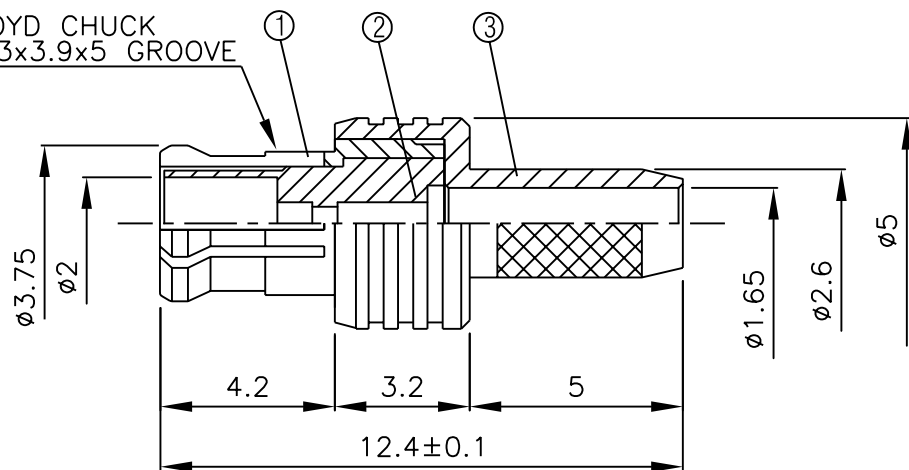
NO	DESCRIPTION	MATERIAL	Q'TY	FINISH	REMARK
1	BODY 1	BE CU	1	GOLD	B-MCX0028-G
2	INSULATION	TEFLON	1	TEFLON	I-0003T
3	BODY 2	BRASS	1	GOLD	B-MCX0010-G
4	PIN	BRASS	1	GOLD	P-MCX0078-G
5	RING	BRASS	GOLD	R-0001-G	



(Recommended Stripping Dimension)



BOYD CHUCK
0.3x3.9x5 GROOVE



HUS-TSAN GROUP CO., LTD.

P.O. BOX 40-76. TAINAN. TAIWAN, R.O.C.

TITLE MCX MALE CRIMP
FOR RG316U

PART NO. MCX-01LV1-TGG

DRAWING NO. MCX 01LV1 TGG

DRAWN MARY

DATE 96.04.30

CHECKED 黃巧君

DATE 96.04.30

Q.A. 蘇姿潔

DATE

APPROVAL 徐燦霖

DATE

REVISION

DATE

DIMENSIONS ARE IN MILLIMETERS

UNLESS OTHERWISE SPECIFIED
TOLERANCE

0.5-5 = ± 0.2 120-315 = ± 1

5-30 = ± 0.4 315-1000 = ± 1.6

30-120 ± 0.6 1000-2000 = ± 2.4

SCALE 4:1 SIZE A

REVISION

DESCRIPTION

ENGINEER