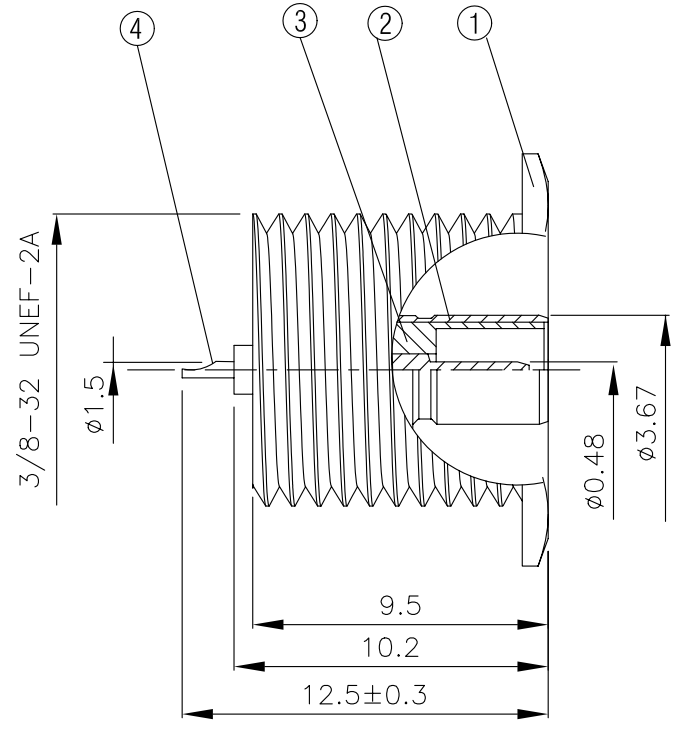
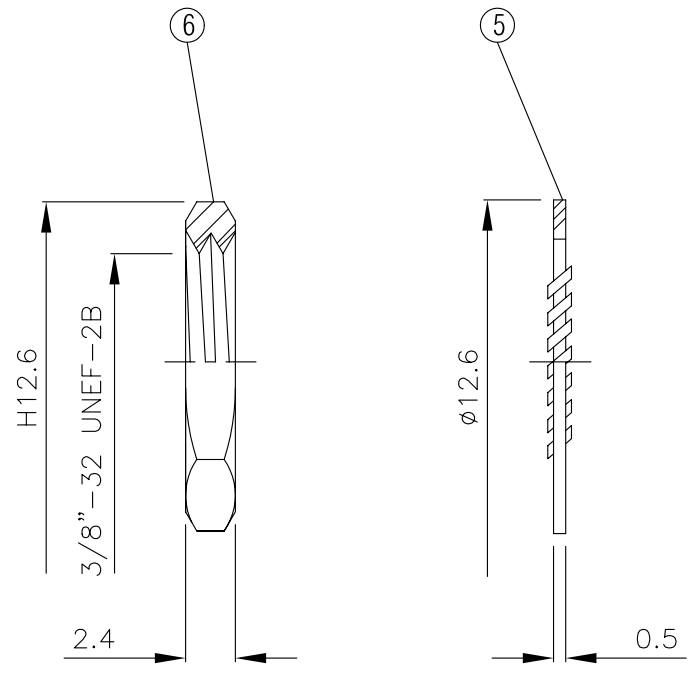
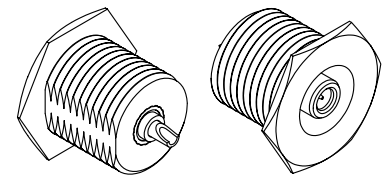
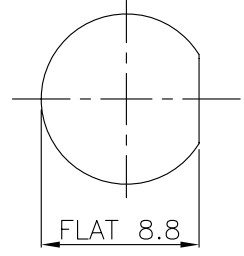


NO	DESCRIPTION	MATERIAL	Q'TY	FINISH	REMARK
1	BODY 1	BRASS	1	GOLD	B-SMB1004-G
2	BODY 2	BRASS	1	GOLD	B-SMB1003-G
3	INSULATION	TEFLON	1	TEFLON	I-0488T
4	PIN	PH.BRONZE	1	GOLD	P-SMB0696-G
5	WASHER	BRASS	1	GOLD	W-0003
6	NUT	BRASS	1	GOLD	N-0010



D

C

B

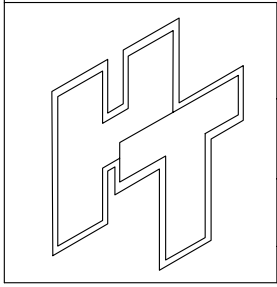
A

D

C

B

A



HUS-TSAN GROUP CO., LTD.
P.O. BOX 40-76 TAINAN TAIWAN, R.O.C.
TITLE SMB RECESSED FRONT MOUNT
PART NO. SMB-17V6-TGG
DRAWING NO. SMB-17V6-TGG

DRAWN MARY **DATE** 94.09.11
CHECKED 沈佳憶 **DATE**
Q.A. 蘇姿潔 **DATE**
APPROVAL 徐燦霖 **DATE**
REVISION **DATE**

DIMENSIONS ARE IN MILLMETER
UNLESS OTHERWISE SPECIFIED TOLERANCE
0.5-5 = ±0.2 120-315 = ±1
5-30 = ±0.4 315-1000 = ±1.6
30-120 = ±0.6 1000-2000 = ±2.4
SCALE 4:1 **SIZE** A

REVISION	
DESCRIPTION	ENGINEER

4

3

2

1