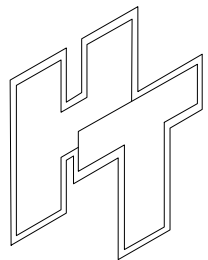
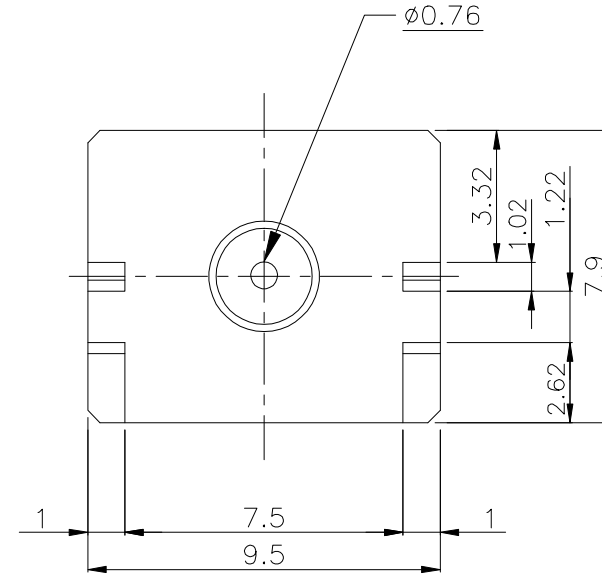
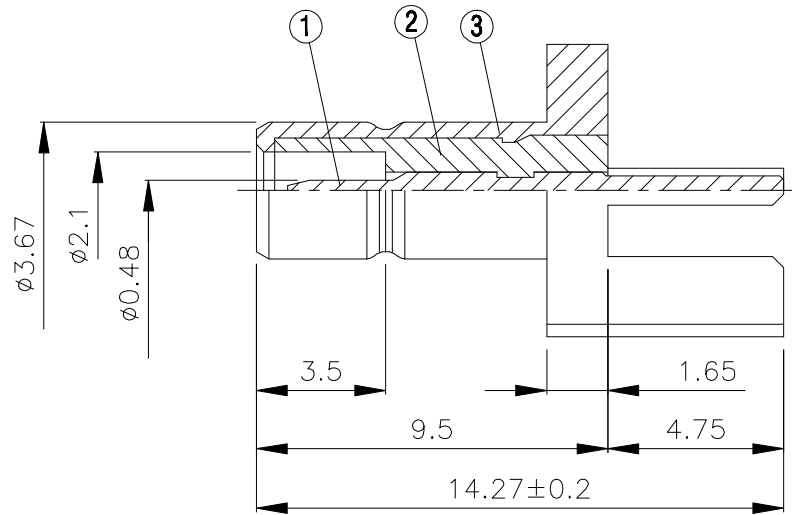
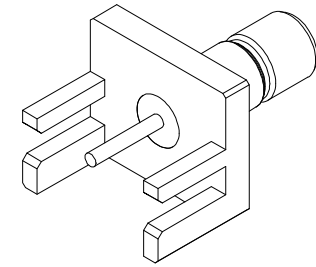


NO	DESCRIPTION	MATERIAL	Q'TY	FINISH	REMARK
1	PIN	BRASS	1	GOLD	P-SMB0128-G
2	INSULATION	TEFLON	1	TEFLON	I-0034T
3	BODY	BRASS	1	GOLD	B-SMB1213-G



HUS-TSAN GROUP CO., LTD.

P.O.BOX 40-76.TAINAN.TAIWAN,R.O.C.

TITLE **SMB MALE END LAUNCH
FOR COARD THICKNESS .042(1.07)**

PART NO. **SMB-10V8-TGG**

DRAWING NO. **SMB 10V8 TGG**

DRAWN **MARY** DATE **96.09.05**

CHECKED **黃巧君** DATE

Q.A. **蘇姿潔** DATE

APPROVAL **徐燦霖** DATE

REVISION DATE

DIMENSIONS ARE IN MILLIMETERS

**UNLESS OTHERWISE SPECIFIED
TOLERANCE**

0.5-5=±0.2 120-315=±1

5-30= ±0.4 315-1000=±1.6

30-120±0.6 1000-2000=±2.4

SCALE **4:1** SIZE **A**

REVISION

DESCRIPTION	ENGINEER

D

D

C

C

B

B

A

A

4

3

2

1