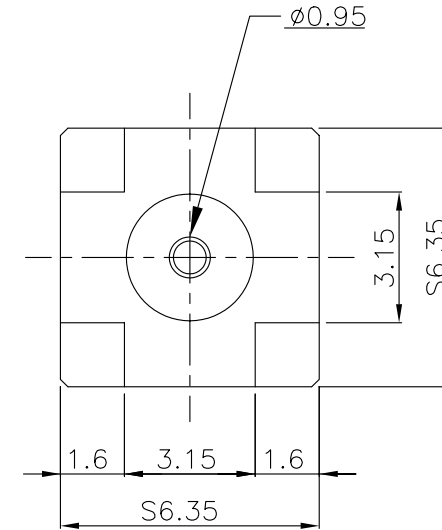
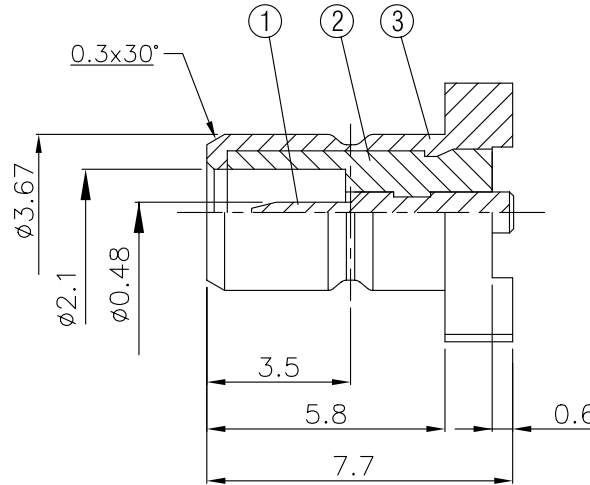
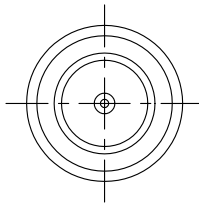
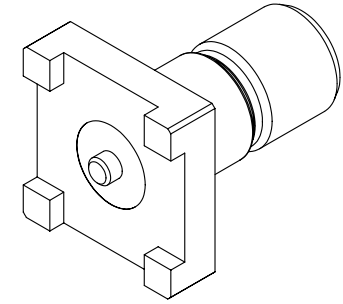
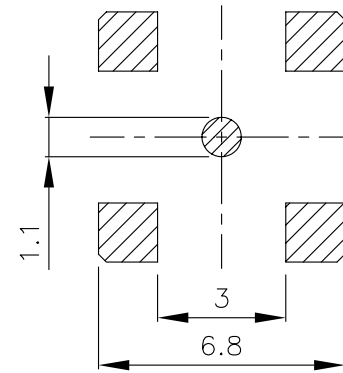


NO	DESCRIPTION	MATERIAL	Q'TY	FINISH	REMARK
1	PIN	BRASS	1	GOLD	P-SMB0127-G
2	INSULATION	TEFLON	1	TEFLON	I-0031T
3	BODY	BRASS	1	NICKEL	B-SMB0196-G



D

C

B

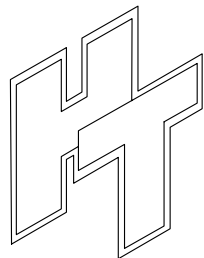
A

D

C

B

A



HUS-TSAN GROUP CO., LTD.

P.O. BOX 40-76. TAINAN. TAIWAN, R.O.C.

TITLE SMB MALE PCB MOUNT

PART NO. SMB-10V4-TGN

DRAWING NO. SMB 10V4 TGN

DRAWN MARY

DATE 96.03.14

CHECKED 黃巧君

DATE

Q.A. 蘇姿潔

DATE

APPROVAL 徐燦霖

DATE

REVISION

DATE

DIMENSIONS ARE IN MILLIMETERS

UNLESS OTHERWISE SPECIFIED TOLERANCE

0.5-5=±0.2 120-315=±1
 5-30= ±0.4 315-1000=±1.6
 30-120±0.6 1000-2000=±2.4

SCALE 4:1 SIZE A

REVISION

DESCRIPTION ENGINEER

4

3

2

1