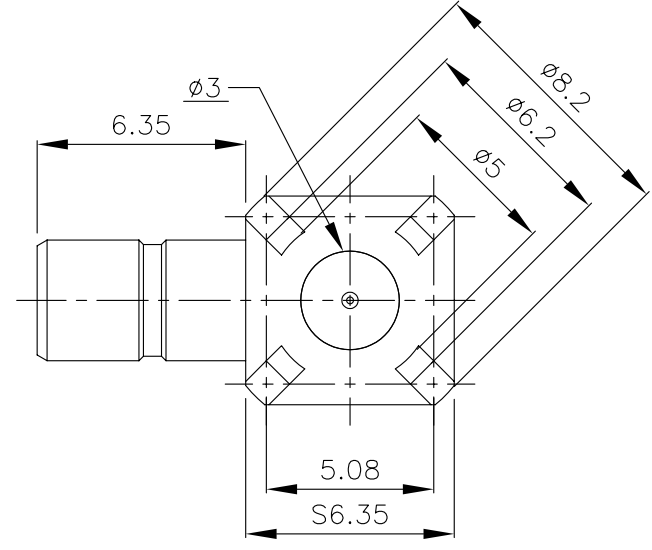
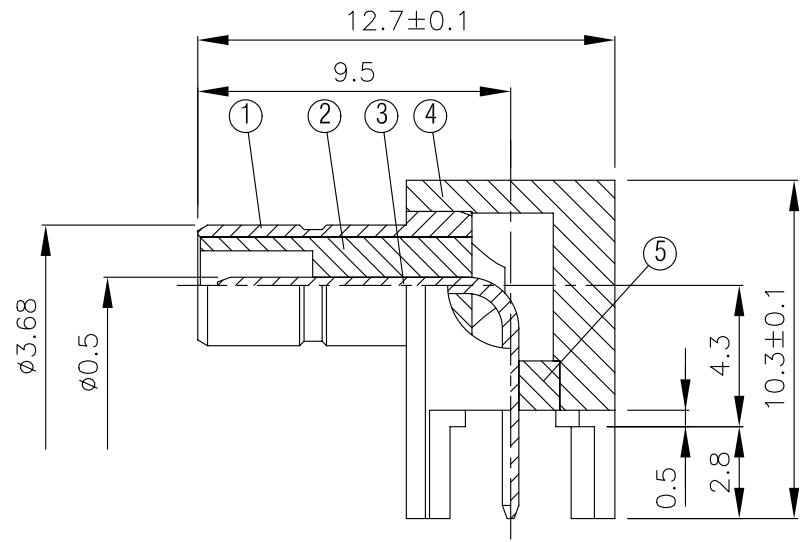
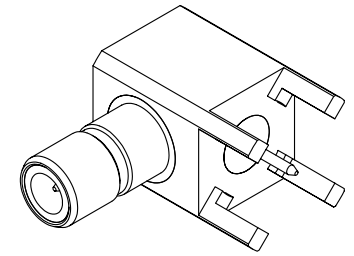
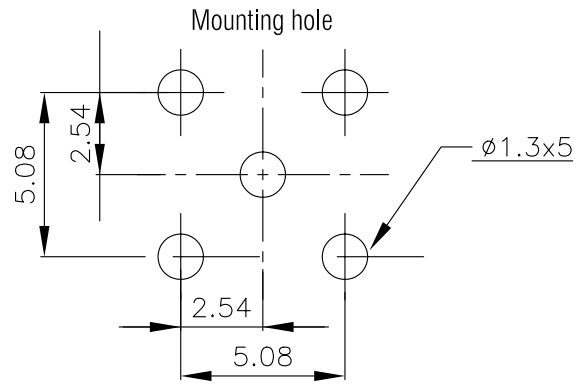


NO	DESCRIPTION	MATERIAL	Q'TY	FINISH	REMARK
1	BODY 1	BRASS	1	GOLD	B-SMB0817-G
2	INSULATION 1	TEFLON	1	TEFLON	I-0538T
3	PIN	BRASS	1	GOLD	P-SMB0785-G
4	BODY 2	BRASS	1	GOLD	B-SMB1113-G
5	INSULATION 2	TEFLON	1	TEFLON	I-0394T



D

C

B

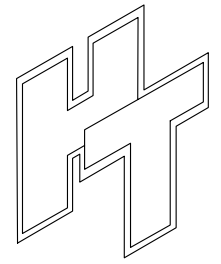
A

D

C

B

A



**HUS-TSAN GROUP CO., LTD.**  
P.O.BOX 40-76.TAINAN.TAIWAN,R.O.C.  
**TITLE** SMB ANGLE MALE FOR PC MOUNT  
**PART NO.** SMB-07V6-TGG  
**DRAWING NO.** SMB-07V6-TGG

**DRAWN** MARY **DATE** 96.03.13  
**CHECKED** 蘇姿潔 **DATE**  
**Q.A.** 馮健華 **DATE**  
**APPROVAL** 徐燦霖 **DATE**  
**REVISION** **DATE**

**DIMENSIONS ARE IN MILLIMETERS**  
**UNLESS OTHERWISE SPECIFIED TOLERANCE**  
0.5-5=±0.2    120-315=±1  
5-30=±0.4    315-1000=±1.6  
30-120±0.6    1000-2000=±2.4  
**SCALE** 4:1    **SIZE** A

REVISION	
DESCRIPTION	ENGINEER

4

3

2

1